



RW 1982® 与您共同创建世界一流的实验室  
BUILDING WORLD-CLASS LABORATORIES WITH YOU

石化 / 科研 / 教学 / 医疗 / 实验室家具及周边设备

PETROCHEMICAL/RESEARCH/EDUCATION/MEDICINE/  
LABORATORY FURNITURE AND ACCESSORIES

第 40 期 NO.40

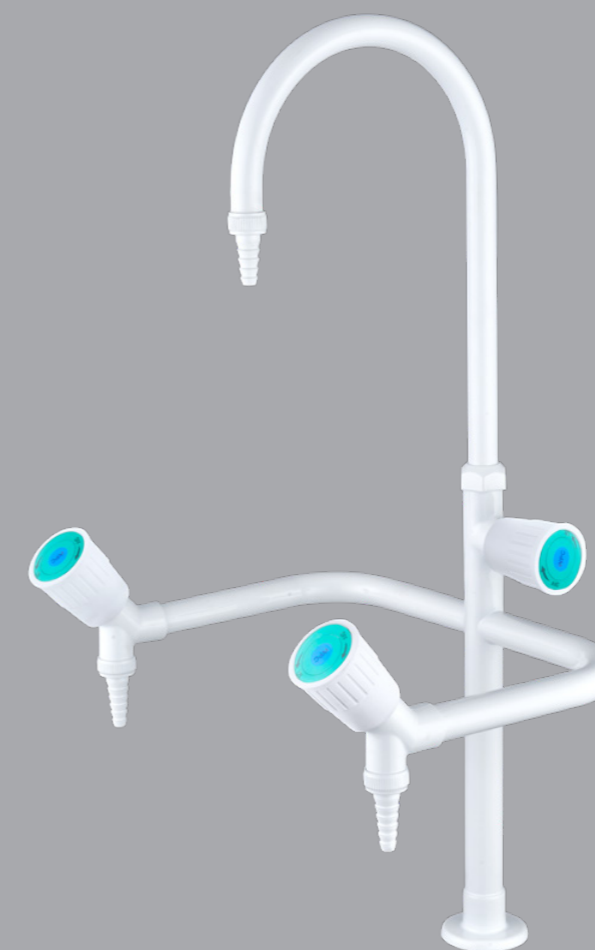
## 河北润旺达洁具制造有限公司

地址: 河北省武强县工业区  
电话: 0318-3825888 3822363  
传真: 0318-3821299  
邮政编码: 053300  
网址: //www.chinarwd.com  
邮箱: postmaster@chinawujie.com

HEBEI RUNWANGDA MAKING CLEAN MATERIALS CO.,LTD

ADD: Industrial District, Wuqiang county, Hebei province, China  
TEL: +86-318-3832252 3832163  
FAX: +86-318-3821299  
POSTCODE: 053300  
HTTP://www.runwangda.net  
E-MAIL: postmaster@chinawujie.com

因产品改进和更新, 产品介绍与实物不符时, 以实物为准  
All changes specification in catalog are subject to actual products.



HEBEI RUNWANGDA MAKING CLEAN MATERIALS CO.,LTD

— SINCE 1982 —





与您共同创建世界一流的实验室  
Building world-class laboratories with you

- 通过 ISO9001 国际质量管理体系认证
- 中国节水认证
- CSA 认证
- CE 认证
- SGS 认证
- 中国人民财产保险公司承保



润旺达拥有多项产品专利，所有化验水龙头、气体考克、紧急冲淋洗眼装置可接受来样定做。

Runwangda possesses many product patents.all of faucets,gas fittings and emergency shower & eye wash can be customized,please supply design and sample.

### CERTIFICATE OF HONOR 荣誉证书



## 公司简介

河北润旺达洁具制造有限公司创建于 1982 年，总部占地 80 余亩，拥有职工 200 余人，是国内历史悠久、规模较大的实验室和安全设备领域制造商。专注于实验室水龙头、气体考克、万向抽气罩、滴水架、PP 水槽、紧急冲淋洗眼器等产品的研发和生产，涉及领域包括教育科研、制药医疗、石油化工、冶金机械等。

润旺达公司拥有重力铸造、冲压、数控精加工、抛光、电镀、喷塑、注塑、塑胶、激光打标、组装一条龙生产线，生产设备精良、生产力量雄厚，拥有 4000m<sup>2</sup> 成品仓库。严格依照国家及国际标准生产，如美国 ANSI Z358.1-2014，严格按照 ISO9000 国际质量体系管理，运用 ERP 系统优化业务管理流程，为顾客提供优质便捷的服务。产品同时出口到国外二十多个国家，为多家国际厂家提供 OEM 贴牌加工，与国际先进标准并轨。

经过多年的发展，润旺达建立了大型模具开发中心和产品检测中心，模具开发中心拥有多台美国 HAAS 数控模具加工中心、车削中心、镗铣中心、线切割中心、电火花等国内外知名数控设备；产品检测中心拥有光谱仪、盐雾试验机、寿命测试机、水压密封测试机、气密性测试机、强度测试机、流量测试机、等多台先进检测设备，构建了高效的企业研发和产品检测体系，参与起草国家标准 GB/T38144《眼面部防护应急喷淋 & 洗眼设备》、全国卫生产业管理协会实验室建设发展分会团体标准《加强型生物安全二级实验室建设技术标准》、中国建筑陶瓷协会团体标准《电加热水嘴》、上海实验室装备协会团体标准《实验室用水气配件技术规范》，参编北京市地方标准《节水器具修订标准》，不断提升生产工艺和效率，获得多项洗眼器专利证书，满足并超越行业需求。

实验室水龙头通过欧盟 CE、加拿大 CSA 和瑞士 SGS 认证等国际认证，卫浴水龙头产品通过 CQC 中国节水认证，列入《节能产品政府采购清单》，为政府强制采购目录产品。实验室气体考克通过加拿大 CSA 认证，实验室万向抽气罩系列产品荣获欧盟 CE、瑞士 SGS 认证，安全防护设备紧急喷淋洗眼器系列产品通过欧盟 CE 认证，并通过美国标准 ANSIZ358.1-2014 检测，被评选为全国劳保行业推荐品牌。润旺达公司努力做好每个细节，为您提供一流的产品和优质的服务。经过多年的发展，已成长为中高端实验室配套产品专业制造商。

## COMPANY INTRODUCTION

Hebei Runwangda Making Clean Materials Co., Ltd. was founded in 1982. It covers an area of over 52000, square meters and has more than 200 employees. It is one of the largest domestic laboratory and safety equipment manufacturers with a long history . We focus on the laboratory faucets, gas valve, fume extractor, pegboard, PP sink, Emergency shower and eye wash series products research & development and production, involving areas such as education, scientific research, pharmaceutical, medical, chemical, petrochemical, electronics, metallurgy, machinery, etc.

Runwangda company has gravity casting, stamping, CNC machining, polishing, electroplating, plastic spraying, laser marking, assembling one-stop production lines, excellent production equipment, strong production strength and the warehouse covers over 4000m<sup>2</sup> for finished goods. Production strictly in accordance with national and international standard, such as the United states ANSI Z358.1-2014 standard, GB18145 standard, management accordance with the international ISO 9000 Quality system, using the ERP system to optimize business process, to provide customers with high quality and convenient service. Runwangda enjoys a good reputation in the domestic and overseas, products are exported to more than 30 countries, provides OEM processing for many international well-known company, synchronizes the advanced international standards.

After many years development, Runwangda established large mold development center and product testing center, that is rare in the same industry manufacturers, mold development plant has several American HAAS CNC mold machining center, turning center, boring and milling center, line cutting, EDM and other domestic and foreign well-known numerical control equipment; Product testing center has spectrometer, salt spray testing machine, lifetime testing machine, hydraulic pressure testing machine, air tightness testing machine, strength testing machine, flow testing machine etc., many sets of advanced testing equipment, built the efficient enterprise research & development and product testing system, participated in the national standard project "emergency shower and eye wash equipment" declare and project work, improving production technology and efficiency, winning many eye wash products patent certificates, meet and exceed industry requirement.

Runwangda company is a membership of China Education Equipment Association, China safety Production Association, Protective equipment safety and Health Committee China textile Commercial Association director unit. Laboratory faucets and gas corker series products passed the CE, CSA and SGS certification, passed the certification of Chinese water conservation. fume extractor series products passed CE and SGS certification. Emergency eye wash series products passed the CE Certification, passed the United States ANSI Z358.1-2014 standard testing, named the recommended brand by the national labor insurance industry.

The whole range of products is insured by Peoples Insurance Company of China.

Runwangda company makes effort to do every detail to provide you high quality products and services.

## 润旺达主要参编标准：

- 紧急喷淋洗眼器国家标准《眼面部防护应急喷淋和洗眼设备》主要起草单位
- 全国卫生产业管理协会实验室建设发展分会团体标准《加强型生物安全二级实验室建设技术标准》主要参编单位
- 北京市地方标准《节水器具修订标准》主要参编单位
- 中国建筑陶瓷协会团体标准《电加热水嘴》主要起草单位
- 上海实验室装备协会团体标准《实验室用水气配件技术规范》主要起草单位
- ★ 国内任何地区售后维修由润旺达上门服务

- The main standards drafted and participated by Runwangda company :The main drafting unit of the Chinese national standard of emergency shower and eyewash 《Eye and Face Protection – Emergency Shower and Eyewash Equipment》
- The main drafting unit of Shanghai Laboratory Equipment Association 《Technical Requirements of Laboratory Water and Gas Fittings》
- The main drafting unit of China Building & Sanitary Ceramics Association 《Electric-heating Water Tap》
- The main participating unit of National Health Industry Enterprise Management Association Laboratory Construction and Development Branch group standard 《Technical Standard for Reinforced Biological Safety Level - 2 Laboratory Construction》
- The main participating unit of Beijing local standard 《Revised Standard for Water-saving Apparatus 》
- ★ Runwangda company provides onsite services for after-sales maintenance of any domestic region.

# CONTENT 目录

化验水咀  
LAB FAUCET \_\_\_\_\_ 01

水阀 / 气阀  
WATER/GAS VALVE \_\_\_\_\_ 13

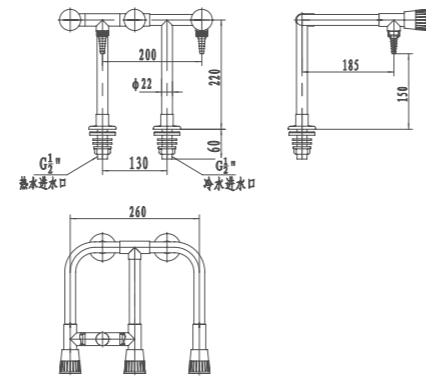
紧急冲淋洗眼装置  
EMERGENCY SHOWER & EYE WASH \_\_\_\_\_ 17

滴水架  
PEGBOARD \_\_\_\_\_ 23

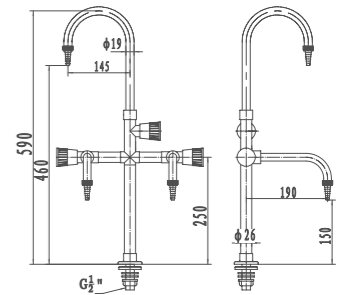
水槽 / 杯槽  
SINK/CUP SINK \_\_\_\_\_ 26

万向抽气罩  
FUME EXTRACTOR \_\_\_\_\_ 34

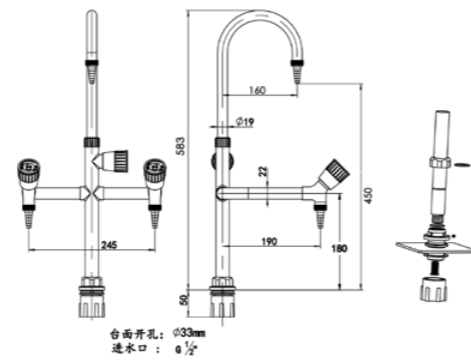
旋钮配色表  
COLOR CODING OF OPERATING HANDLES \_\_\_\_\_ 43



F2301  
二联化验水咀  
Two Way Assay Faucet

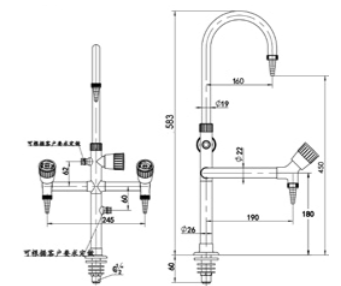


F3305  
三联化验水咀  
Three Way Assay Faucet



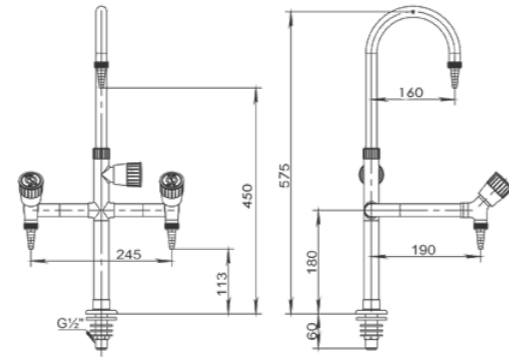
F3304  
三联化验水咀  
Three Way Assay Faucet

台面开孔:  $\phi 33\text{mm}$   
进水管:  $\phi 1/2$



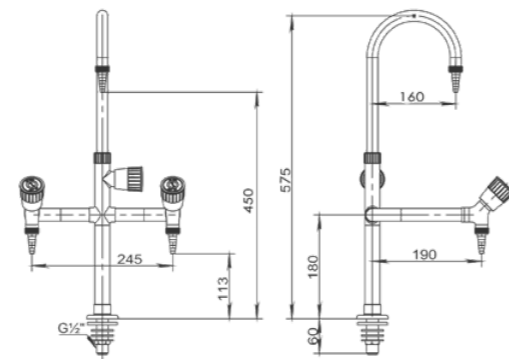
F3303  
三联化验水咀  
Three Way Assay Faucet

NEW  
PRODUCTS



F3302  
三联化验水咀  
Three Way Assay Faucet

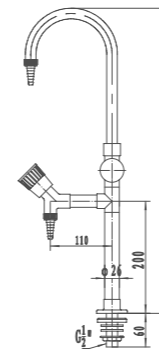
NEW  
PRODUCTS



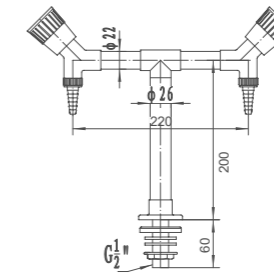
F3302A  
三联化验水咀(肘动)  
Three Way Assay Faucet(Swing)



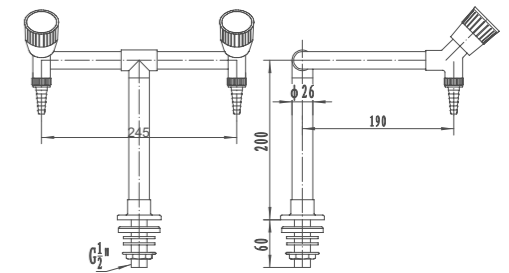
F2203  
双联化验水咀  
Two way Assay Faucet



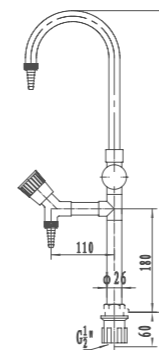
F2201  
双联化验水咀  
Two way Assay Faucet



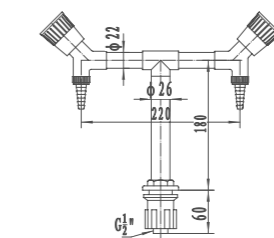
F2202  
双联化验水咀  
Two way Assay Faucet



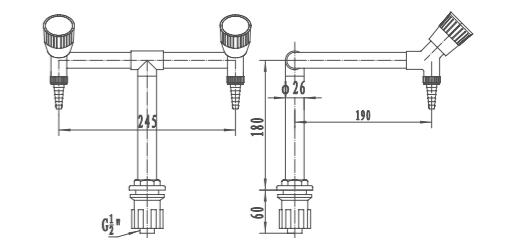
F2203-1  
双联化验水咀  
Two way Assay Faucet



F2201-1  
双联化验水咀  
Two way Assay Faucet



F2202-1  
双联化验水咀  
Two way Assay Faucet







**WJH0211DA**  
单联化验水咀 (肘动)  
Single Assay Faucet (Swing)

**WJH0211D**  
单联化验水咀  
Single Assay Faucet

**WJH0211DB**  
单联化验水咀  
Single Assay Faucet



**WJH1316**  
单联冷热化验水咀  
Single Cold-hot Assay Faucet



**WJH1316B**  
单联冷热化验水咀  
Single Cold-hot Assay Faucet



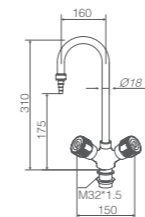
**F0733**  
冷热三联化验水咀  
Three Way Cold-hot Assay Faucet



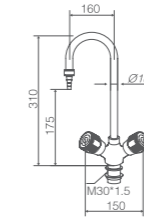
**WJH1312A**  
单联化验水咀 (肘动)  
Single Assay Faucet (Swing)

**WJH1312**  
单联化验水咀  
Single Assay Faucet

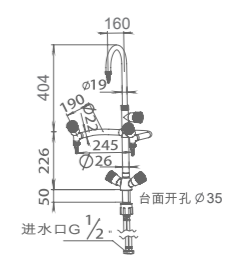
**WJH1312B**  
单联化验水咀  
Single Assay Faucet



台面开孔  $\phi 35$   
Desk Hole Size:  $\phi 35$



台面开孔  $\phi 35$   
Desk Hole Size:  $\phi 35$



台面开孔  $\phi 35$

进水口  $G \frac{1}{2}$



**WJH0716**  
单联冷热化验水咀  
Single Cold-hot Assay Faucet



**WJH0609B (灰色)**  
单联冷热化验水咀  
Single Cold-hot Assay Faucet



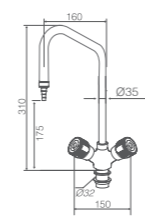
**WJH0609A (灰色)**  
单联冷热化验水咀  
Single Cold-hot Assay Faucet



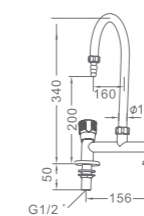
**WJH1314A**  
单联化验水咀 (肘动)  
Single Assay Faucet (Swing)

**WJH1314**  
单联化验水咀  
Single Assay Faucet

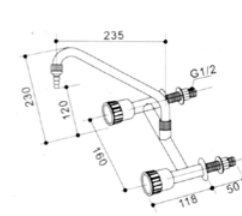
**WJH1314B**  
单联化验水咀  
Single Assay Faucet



台面开孔  $\phi 35$   
Desk Hole Size:  $\phi 35$



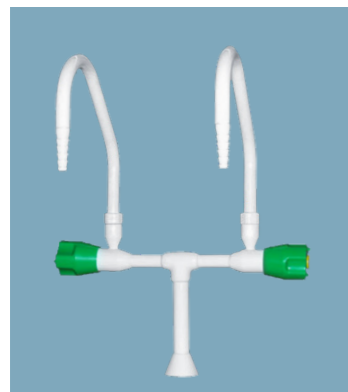
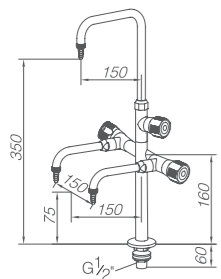
$G \frac{1}{2}$



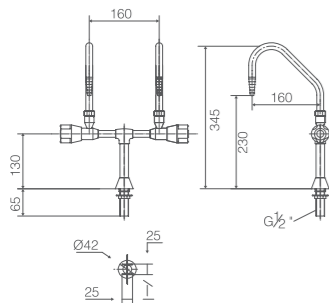
$G \frac{1}{2}$



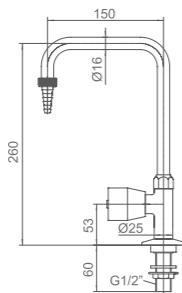
**WJH0833**  
三联化验水咀  
Three Way Assay Faucet



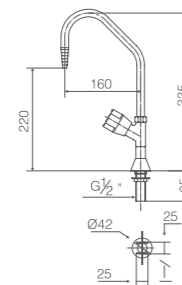
**WJH0922**  
双联化验水咀  
Two Way Assay Faucet



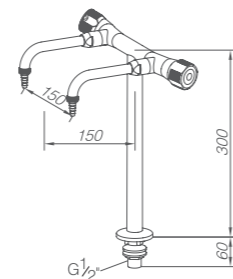
**WJH0811**  
单联化验水咀  
Single Assay Faucet



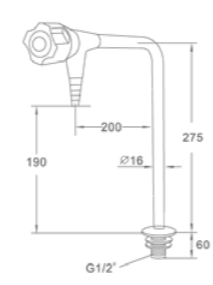
**WJH0911**  
单联化验水咀  
Single Assay Faucet



**WJH0822**  
双联化验水咀  
Two Way Assay Faucet



**WJH0914**  
单联化验水咀  
Single Assay Faucet



**超纯水龙头**

- 100%无污染、原质 PVDF 耐腐蚀，特别适用于配制精密试剂的超纯净水实验室。
- 超精密针阀（特氟纶密封），可精确调节水流。

**ULTRA-PURE WATER FAUCET**

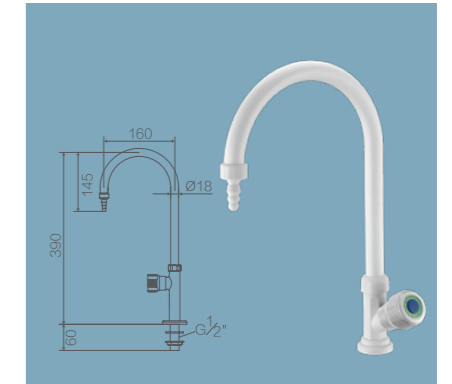
- Contamination-free 100%, Virgin PVDF, chemical resistance, especially suitable for the ultra-pure water laboratory of precise reagent preparation.
- Precision needle valve (with Teflon seal—no elastomers), can accurately regulate the flow of water.



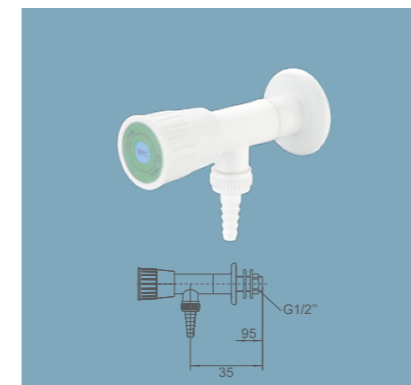
**WJH0608A**  
单联超纯水咀  
Ultra-Pure Faucet



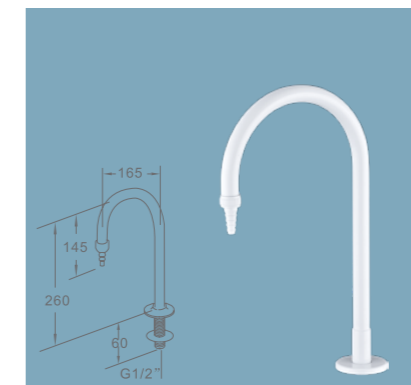
**WJH0608B**  
PP 单联化验水咀  
PP Single Assay Faucet



**WJH0608C**  
PP 单联化验水咀  
PP Single Assay Faucet



**WJH0608A-1**  
单联超纯水咀  
Ultra-Pure Faucet



**WJH0719**  
单联供水考克  
Single Water Cock

**水咀专用脚踏开关**

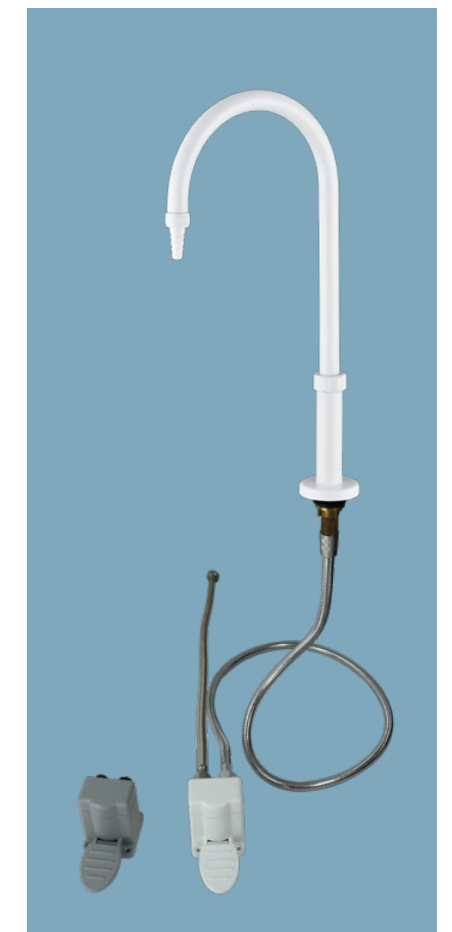
- 金属材质：锌合金
- 功能：通过脚踏开关来控制水咀出水；避免在实验过程中手与水咀直接接触，防止二次污染。

**Foot Treadle Specialized for Faucets**

- Metal: solid brass
- Function/Description: To control the outflow of faucets without necessity to operate the handles



脚踏式水龙头可以选配万向弯管  
Universal elbow optional for pedal faucet



**WJH0719A**  
脚踏式水龙头  
Treadle-operation type faucet

**不锈钢龙头壳体在非人为损坏下 30 年不变**

不锈钢龙头倍受广大消费者青睐的原因，主要是：

- 1. 用水标准：不含铅，达到绝对纯净，不会对水资源产生二次污染；
- 2. 绿色环保：物理表面处理，无需电镀，不会对环境产生污染；
- 3. 洁净耐用：无腐蚀，使用寿命长。清洁方便，只需轻轻擦拭，即可亮丽如新。

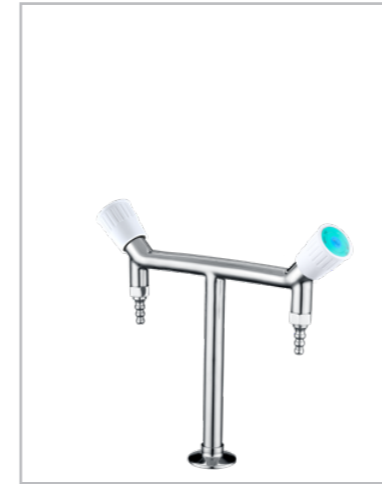
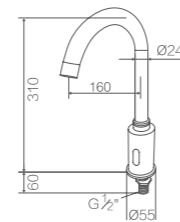
**STAINLESS STEEL FAUCET BODY UNDER THE NON-ARTIFICIAL DAMAGE, 30 YEARS UNCHANGED**

Masses of consumers favor the stainless steel faucet, the mainly causes as follows:

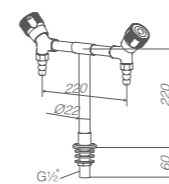
- 1. Drinking healthy: contains no lead, reach to absolute purity, won't produce secondary pollution to water.
- 2. Green environmental protection: physical surface treatment, without plating, won't produce pollution to the environment.
- 3. Clean and durable: no corrosion, long service life. Clean conveniently, just wipe gently will be bright as new.



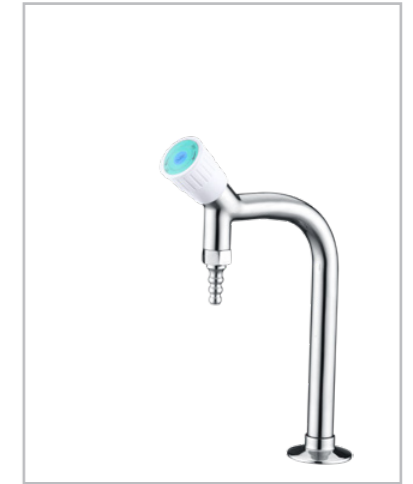
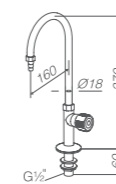
**WJH0812**  
感应实验室水咀  
Sensor Laboratory Faucet



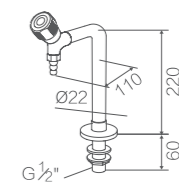
**WJH0521**  
双联化验水咀 (不锈钢)  
Two Way Assay Faucet (Stainless Steel)



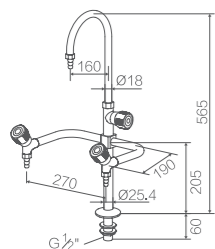
**WJH0512**  
单联化验水咀 (不锈钢)  
Single Assay Faucet (Stainless Steel)



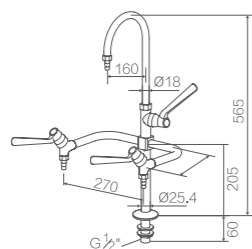
**WJH0515**  
单联化验水咀 (不锈钢)  
Single Assay Faucet (Stainless Steel)



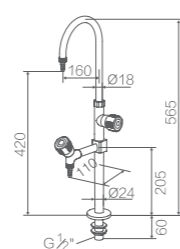
**WJH0531A**  
三联化验水咀 (不锈钢)  
Three Way Assay Faucet (Stainless Steel)



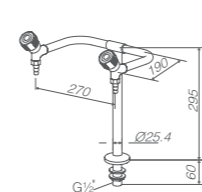
**WJH0531B**  
三联化验水咀 (肘动、不锈钢)  
Three Way Assay Faucet (Swing, Stainless Steel)



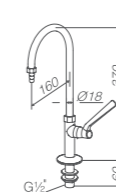
**WJH0523**  
双联化验水咀 (不锈钢)  
Two Way Assay Faucet (Stainless Steel)



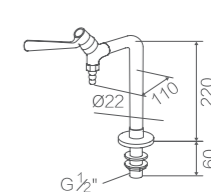
**WJH0522**  
低双联化验水咀 (不锈钢)  
Two Way Assay Faucet (Stainless Steel)



**WJH0512A**  
单联化验水咀 (肘动、不锈钢)  
Single Assay Faucet (Swing, Stainless Steel)



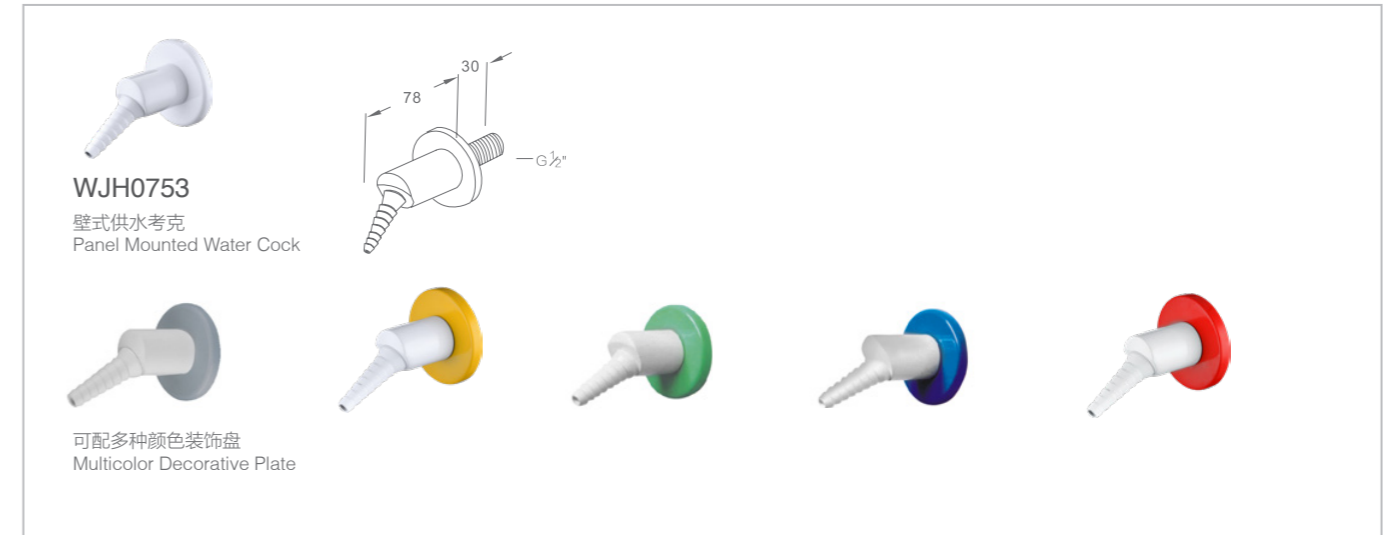
**WJH0515A**  
单联化验水咀 (肘动、不锈钢)  
Single Assay Faucet (Swing, Stainless Steel)





根据德国 DIN Standard 13792:2002 标准, 旋钮配色表可提供多种颜色的气阀。

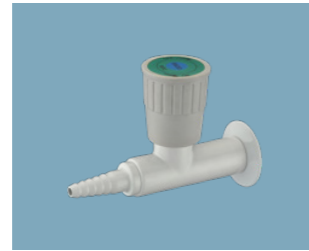
According to Germany DIN Standard 13792:2002, color coding can provide multicolor gas valve



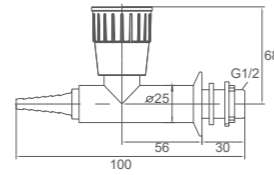


RWD-BUILDING WORLD-CLASS LABORATORIES WITH YOU

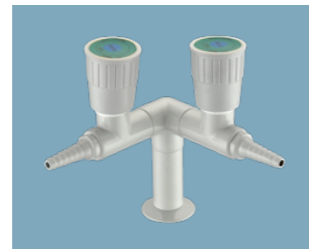
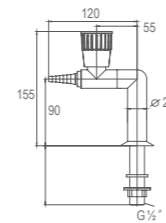
全铜精铸 · 高端品质  
All Copper Precision Casting, high-End Quality



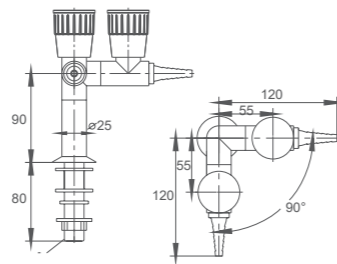
**F1101B**  
单开壁式水咀  
Panel Mounted Water Tap



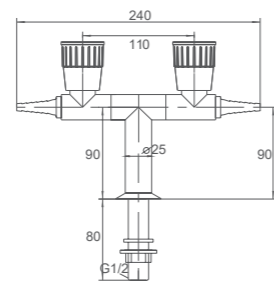
**F1101L**  
单开立式供水咀  
Single Erect Water Tap



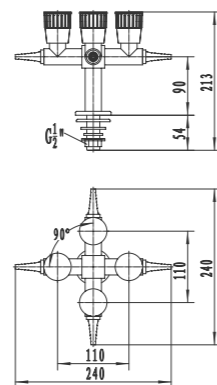
**F2201A**  
双开立式水咀  
Two Way Erect Water Tap



**F2202A**  
双开立式水咀  
Two Way Erect Water Tap



**F4401A**  
四开立式水咀  
Four Way Erect Water Tap



**FQ1101B**  
单开壁式供气咀  
Single Panel Mounted Gas Tap



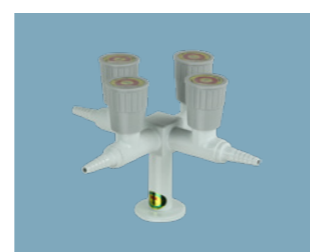
**FQ1101L**  
单开立式供气咀  
Single Erect Gas Tap



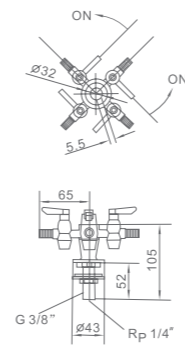
**FQ2201A**  
双开立式供气咀  
Two Way Erect Gas Tap



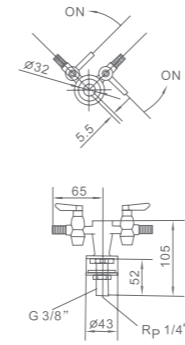
**FQ2202A**  
双开立式气咀  
Two Way Erect Gas Tap



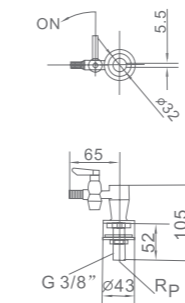
**FQ4401A**  
四开立式水咀  
Four Way Erect Gas Tap



**WJH0804A**  
四开立式供气咀  
Four Way Erect Gas Valve



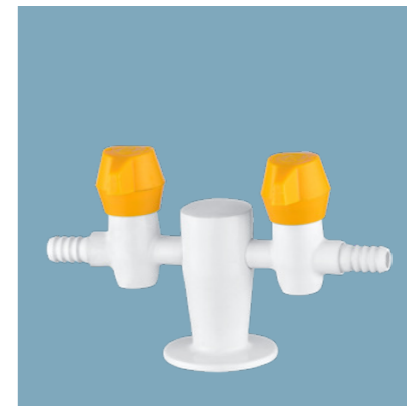
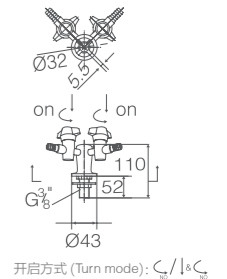
**WJH0802AB**  
双开立式供气咀  
Two Way Erect Gas Valve



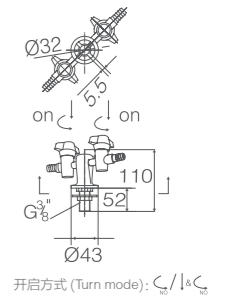
**WJH0801A**  
单开立式供气咀  
Single Erect Gas Valve



**WJH0802AB1**  
双开立式供气咀 (安全弹扣开启)  
Two Way Erect Gas Valve (Safety Press-turn Open)



**WJH0802AA1**  
双开立式供气咀 (安全弹扣开启)  
Two Way Erect Gas Valve (Safety Press-turn Open)

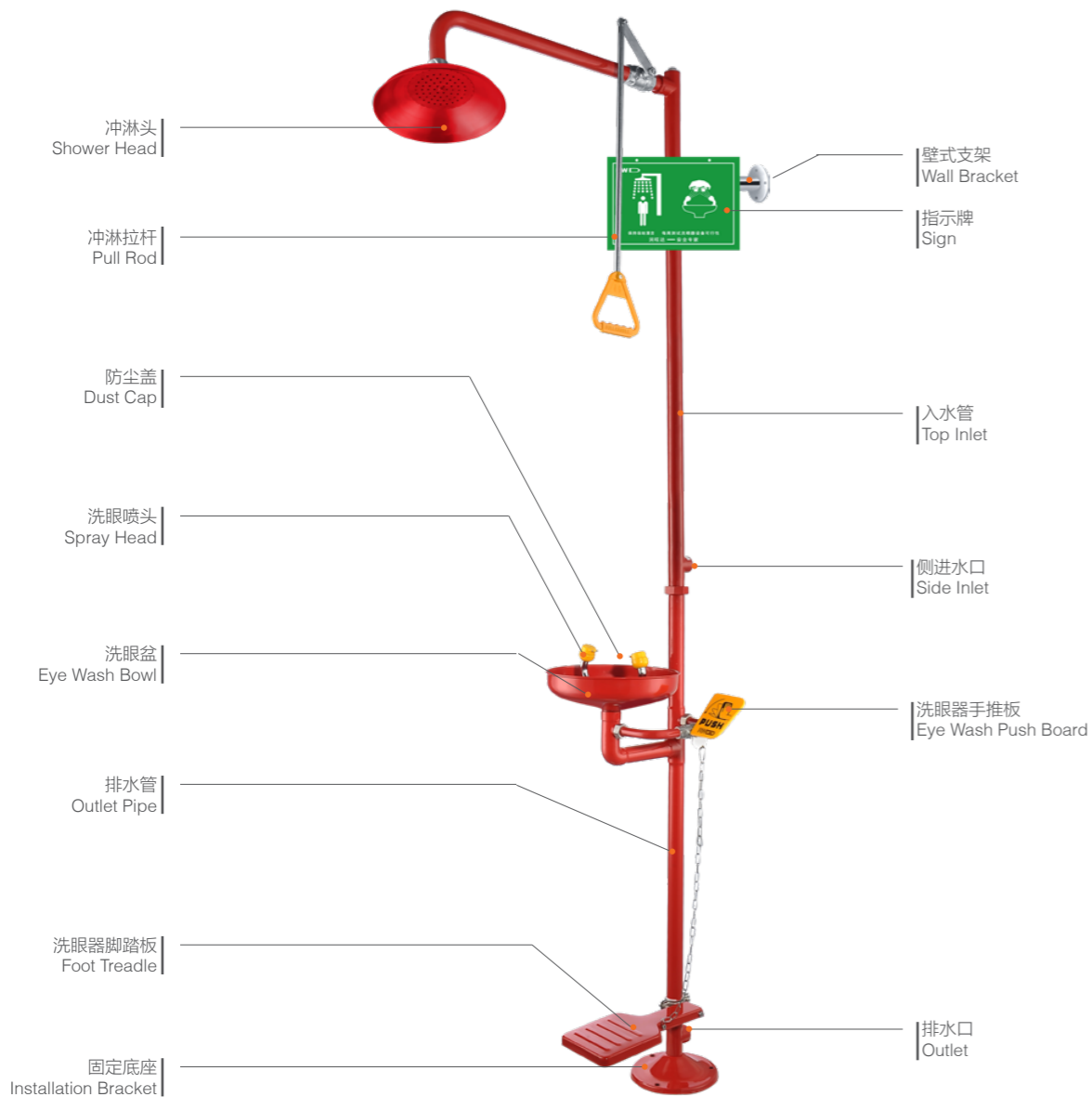


### 紧急冲淋洗眼器

紧急冲淋洗眼器是广泛使用于医药、化工、石化、电子、半导体企业中危险工作区域和实验室的紧急救护安全装置。当发生化学液体或者有毒物质喷溅到工作人员身体、脸、眼或发生火灾引起工作人员衣物着火时，该装置能迅速将危害降到最低程度，减少有毒有害物质对工作人员身体伤害。

### Emergency Shower & Eye Wash

As first aid equipment, emergency shower and eye wash units are widely used at working area and laboratories in the fields of pharmaceutical, chemical, petrochemical, electronics, semi-conductor industries, where danger tends to occur unexpectedly. In the event of an accident of chemical or poison spill or fire, this equipment delivers water to rinse contaminants from a user's body, face, and eyes, as to minimize damage and harm to injured worker.



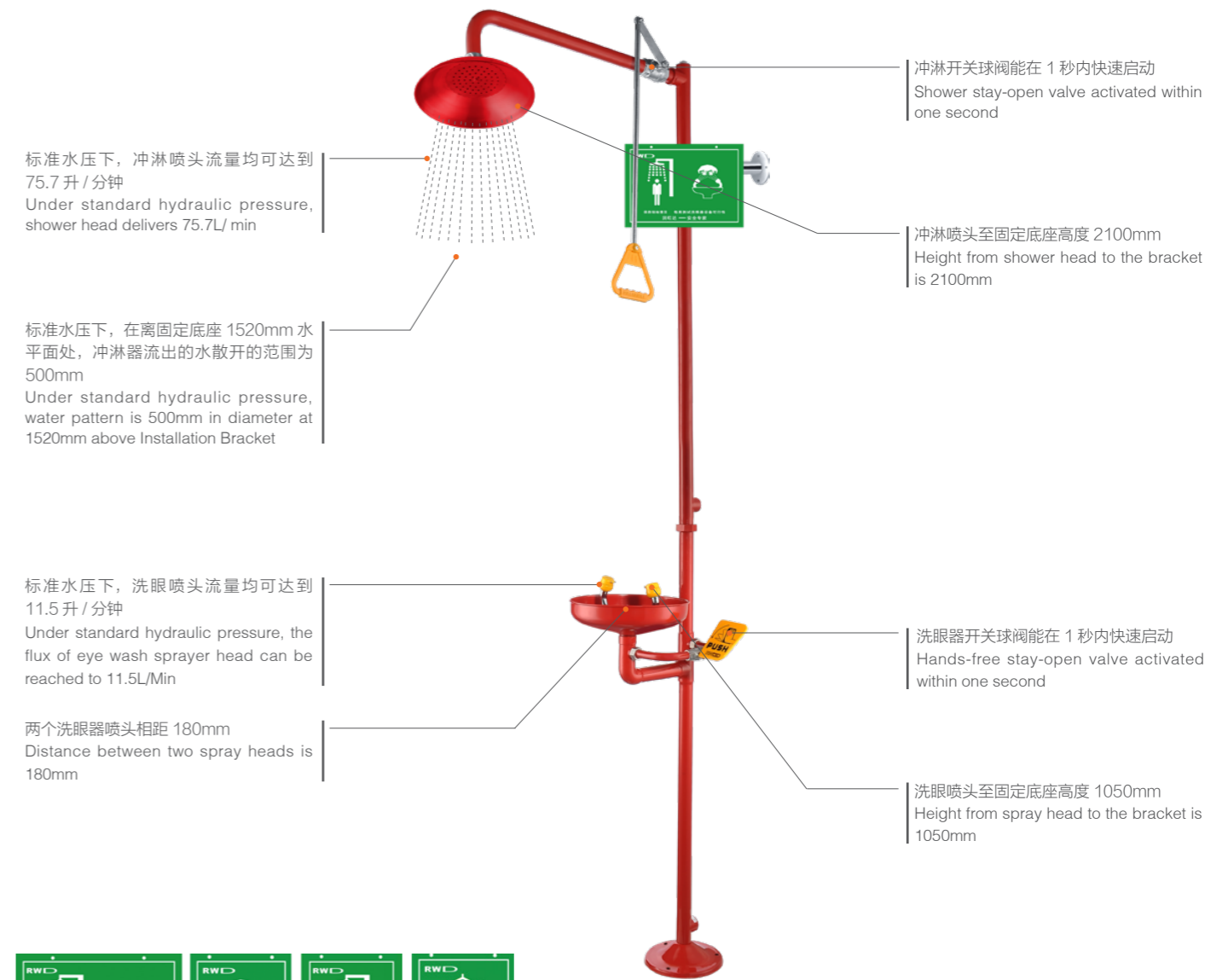
**WJH0858**  
不锈钢紧急冲淋洗眼器  
Stainless Steel Emergency Shower & Eye Wash

所有紧急冲淋洗眼器均可接受来样定做；RWD 也可根据客户要求，定制不同颜色。  
RWD Emergency Shower & Eye Wash can be designed and sampled, also offers customers different colors as customers' request.

### RWD 紧急冲淋洗眼器达到 ANSI Z358.1-2014 标准 RWD Emergency Shower & Eye Wash in Accordance with ANSI Z358.1-2014

RWD 紧急冲淋洗眼器采用台湾先进技术，依据美国 ANSI Z358.1-2014 标准生产。该标准中对紧急冲淋洗眼器每个组成部分的长度、高度、水流量、水流在定点高度的截面积等方面都做了详细的规定，RWD 紧急冲淋洗眼器系列均能达到标准。在此之上，RWD 紧急冲淋洗眼器系列洗眼喷头高度与角度完全依照面部比例设计，出水孔经过特殊处理，喷出的水更加温和，使用过程中不会因水流过激伤害角膜与眼睛内部的神经。

RWD emergency shower and eye wash equipments are manufactured in accordance with ANSI Z358.1-2014 standard, which sets standard for length, height, flow volume and spray area, etc., for emergency equipment. Eye wash in ergonomically designed with two spray heads, height and angle of the heads offer face most comfort. The specially designed spray holes soften water spray and protect eyes effectively.



**WJH0358A**  
不锈钢紧急冲淋洗眼器  
Stainless Steel Emergency Shower & Eye Wash



### 复合式紧急冲淋洗眼器

- 材质: SS304
- 表面处理: 精细抛光, 以增强产品耐腐蚀能力
- 安装特点: 采用“插入式”快接方式, 安装时长较传统洗眼器时长缩短 2/3
- 使用功能: 喷淋 + 洗眼 (可同时使用, 也可分开使用)
- 开关球阀: 两片式快开球阀
- 顶喷: 旋压式卷边工艺设计, 直径 250mm
- 管道直径: 38mm
- 公称压力: 1.0Mpa
- 工作压力: 0.2 ~ 0.4Mpa
- 测试压力: 1.5Mpa
- 使用环境温度: 0°C ~ 40°C
- 喷淋水流量:  $\geq 76$  L/min
- 洗脸 / 洗眼水流量:  $\geq 11.4$  L/min
- 洗眼水流量:  $\geq 1.5$  L/min
- 洗眼盆: 300mm 直边设计, 聚水集中, 防止飞溅
- 防尘盖: 主体一体式设计, 不易丢失
- 洗眼喷头特点: 专利设计, 自带双流量调节阀
- 进水口尺寸: 1" 英制内螺纹
- 排水口尺寸: 1" 英制内螺纹
- 进水口高度: 1201mm
- 排水口高度: 86mm
- 洗眼喷头间距: 170mm
- 出水范围: 距站立面 1524mm 高度, 出水范围直径至少为 510mm

★备注: 进、排水口尺寸可按用户需求定制, 建议进水口设置维修应急阀门和过滤器。  
可添加不锈钢脚踏板控制洗眼开关。

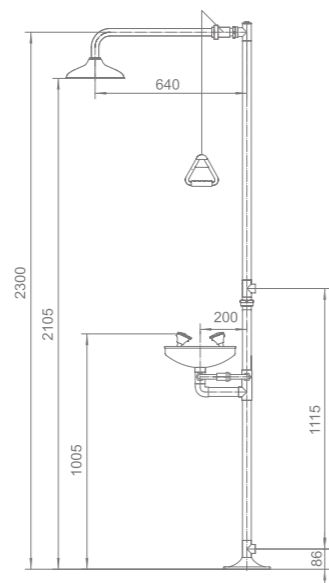
### EYE/FACE WASH AND SHOWER COMBINATION STATION

- Material: Stainless Steel 304
- Surface finishing: fine-polished, which makes the pipe surface performs better on corrosion resistance
- Assembling feature: pipes connected by innovative inserting & turning
- Usage: drenching body and rinsing faces / eyes can be operated separately or simultaneously
- Shower & eye wash switch: SS304 ball valve
- Shower head: spinning-formed with curled rim, diameter 250 mm
- Pipe diameter: 38 mm
- Nominal pressure: 1.0 Mpa
- Working pressure: 0.2-0.4 Mpa
- Testing pressure: 1.5 Mpa
- Temperature requirement on working environment: 0°C-40°C
- Flow rate of body shower:  $\geq 76$  L/min
- Flow rate of eye/face wash:  $\geq 11.4$  L/min
- Flow rate of eye wash:  $\geq 1.5$  L/min
- Eyewash bowl features: 300 mm in diameter, vertical bowl-wall design, allows better water collecting and anti-splashing
- Dust cover: integrated with the spray head (not connected by chain), and easily removed by water flow.
- Spray head feature: patented design, each spray head equips with one water-flow control valve
- Inlet thread: Rp 1" female
- Outlet thread: Rp 1" female
- Inlet height (from above the floor): 1201 mm
- Outlet height (from above the floor): 86 mm
- Distance between spray heads: 170 mm
- Water pattern coverage: at the height of 1524 mm above floor, the water pattern covers a circular area of at least 510 mm in diameter

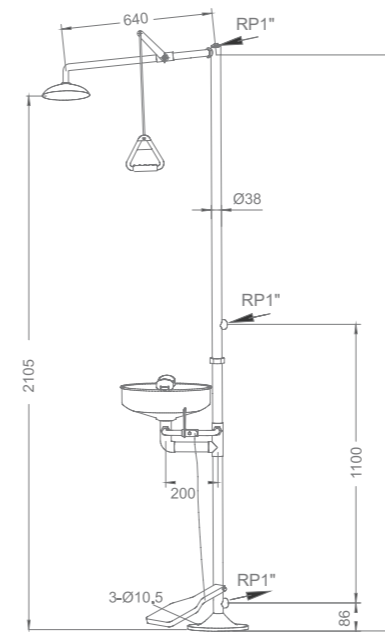
★ Notes: the inlet part and outlet part are customizable;  
shutoff valve and filter are proposed to be equipped on the water-supply end;  
stainless steel - made foot treadle is optional as eye wash switch



- 采用“插入式”管道连接方式, 能快速的装配和拆卸, 方便安装和日常维护。  
Adopt UNION type pipe connection, can quickly assemble and disassembled, is easy to install and daily maintenance.



WJH0358A-3  
不锈钢紧急冲淋洗眼器  
Stainless Steel Emergency  
Shower & Eye Wash



- 采用“由任式”管道连接方式, 能快速的装配拆卸, 方便安装和日常维护。  
Adopt UNION type pipe connection, can quickly assemble and disassembled, is easy to install and daily maintenance.



WJH0858 (抛光)  
不锈钢紧急冲淋洗眼器  
Stainless Steel Emergency  
Shower & Eye Wash

### 复合式紧急冲淋洗眼器

- 材质: SS304
- 表面处理: 高亮度环氧树脂涂层
- 安装特点: 采用“插入式”快接方式, 安装时长较传统洗眼器时长缩短 2/3
- 使用功能: 喷淋 + 洗眼 (可同时使用, 也可分开使用)
- 开关球阀: 两片式快开球阀
- 顶喷: 旋压式卷边工艺设计, 直径 250mm
- 管道直径: 38mm
- 公称压力: 1.0Mpa
- 工作压力: 0.2 ~ 0.4Mpa
- 测试压力: 1.5Mpa
- 使用环境温度: 0°C ~ 40°C
- 喷淋水流量:  $\geq 76$  L/min
- 洗脸 / 洗眼水流量:  $\geq 11.4$  L/min
- 洗眼水流量:  $\geq 1.5$  L/min
- 洗眼盆: PC 可视化透明盖, 洗眼盆 ABS 材质
- 洗眼喷头特点: 专利设计, 自带双流量调节阀
- 进水口尺寸: 1" 英制内螺纹
- 排水口尺寸: 1" 英制内螺纹
- 进水口高度: 1201mm
- 排水口高度: 86mm
- 洗眼喷头间距: 170mm
- 出水范围: 距站立面 1524mm 高度, 出水范围直径至少为 510mm

★备注: 进、排水口尺寸可按用户需求定制, 建议进水口设置维修应急阀门和过滤器。  
可添加不锈钢脚踏板控制洗眼开关。

### EYE/FACE WASH AND SHOWER COMBINATION STATION

- Material: Stainless Steel 304
- Surface finishing: glossy epoxy coated
- Assembling feature: pipes connected by innovative inserting & turning
- Usage: drenching body and rinsing faces / eyes can be operated separately or simultaneously
- Shower & eye wash switch: SS304 ball valve
- Shower head: spinning-formed with curled rim, diameter 250 mm
- Pipe diameter: 38 mm
- Nominal pressure: 1.0 Mpa
- Working pressure: 0.2~0.4 Mpa
- Testing pressure: 1.5 Mpa
- Temperature requirement on working environment: 0°C~40°C
- Flow rate of body shower:  $\geq 76$  L/min
- Flow rate of eye/face wash:  $\geq 11.4$  L/min
- Flow rate of eye wash:  $\geq 1.5$  L/min
- Eyewash howl features: ABS bowl, transparent PC bowl cover
- Spray head feature: patented design, each spray head equips with one water-flow control valve
- Inlet thread: Rp 1"female
- Outlet thread: Rp 1"female
- Inlet height (from above the floor): 1201 mm
- Outlet height (from above the floor): 86 mm
- Distance between spray heads: 170 mm
- Water pattern coverage: at the height of 1524 mm above floor, the water pattern covers a circular area of at least 510 mm in diameter

★ Notes: the inlet part and outlet part are customizable;  
shutoff valve and filter are proposed to be equipped on the water-supply end;  
stainless steel - made foot treadle is optional as eye wash switch



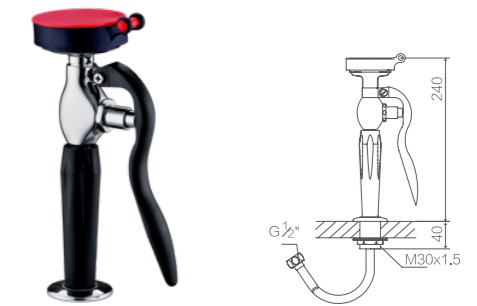
WJH0358A-3L  
不锈钢紧急冲淋洗眼器  
Stainless Steel Emergency  
Shower & Eye Wash

### 台式洗眼器

- 主体: 加厚铜质
- 涂层: 高亮度超厚电镀层, 耐腐蚀、耐热, 防紫外线辐射
- 喷淋头: 软性橡胶, 出水经缓压处理呈泡沫状水柱, 防止冲伤眼睛
- 防尘盖: PP 材质, 使用时自动被水冲开
- 开关: 水流开启、水流锁定功能一次完成, 方便使用
- 控水阀: 止逆阀, 其阀门可自动关闭
- 软管: 供水软管长度 1.5 米, 软性 PVC 管外覆不锈钢网
- 水压: 最大耐压 7 巴
- 选择: 1. 可供台式 / 壁式安装方式 2. 可供单 / 双喷淋头 3. 可供洗瓶器

### BENCH REMOVABLE EYE WASH

- Body: Solid brass
- Coating: High gloss epoxy powder, resistant to chemicals, UV fading and heat
- Spray head: Soft rubber, softend water spray for eye protection
- Dust cap: PP, removed automatically when eye wash is operated
- Switch: Automatic trigger locking for easy hand-free use
- Valve: None-return valve, shut off automatically
- Hose: Length 1.5m, PVC with stainless steel wire braided
- Max: working pressure: 7 Bar
- More options: 1. Desk/wall mounted available  
2. Single/double spray head(s) available  
3. Bottle wash available



WJH0355  
台式移动单口洗眼器  
Removable Single Nozzle Eye Wash (table mounted)



WJH0355A  
台式移动双口洗眼器  
Removable Double Nozzle Eye Wash (table mounted)



WJH0355B  
台式移动洗瓶器  
Removable Bottle Wash (table mounted)

### RWD 台面防溢盛装盘

- 材质: 聚乙烯白色
- 尺寸: 30.5cm 宽 × 43cm 长 × 10cm 高
- 负载能力: 91kg 载重能力
- 污水容量: 5.6L 污水容量  
重量 2.27 公斤

### 产品描述

- 耐化学性盛装盘设计了内置盛装结构
- 喷嘴方便排出漏液
- 半透明的侧壁有助于发现泄漏
- 体积小, 放在任何桌面或台面上

### RWD Table anti overflow laying tray

- Material: polyethylene white
- Measure(cm): 30.5(W)\*43(L)\*10(H)
- Load capacity: 91KG
- Sewage capacity: 5.6L
- Net.Weight: 2.27KG

### Product description

- Resistance to chemical corrosion, built in laying structure
- Nozzle discharge leakage easily
- Translucent wall is helpful to find leaks
- Small size, can be put in any desktop or table



WJH0361  
台面防溢盛装盘  
Table anti overflow laying tray

滴水架选用高品质塑料, 具有优越的耐候性与抗菌腐蚀性; 整体不霉变, 滴水棒就位后不易脱落。安装简便; 无论是固定在墙面还是实验台上都坚固耐用

- 配备 80 个滴水棒, 包含 60 个标准滴水棒 (直径 15mm) 和 20 个细小滴水棒 (直径 6mm) 具有锁扣功能, 承重强度高
- 滴水棒的使用可根据器皿的实际大小放置, 拆卸方便
- 支架底部设有无缝排水孔, 倾斜的设计能够迅速排走液体
- 排水管可连接至积液槽排液口
- 配套安装固定套件
- 72 个插孔位

The PP pegboard is made of high quality plastic, which has excellent weatherability and corrosion resistance. The whole is not mouldy, and the PP Pegs are not easy to fall off. It is easy to install, whether it is fixed on the wall or on the worktop, is strong and durable.

- It is equipped with 80 PS Pegs, including 60 standard PS pegs (diameter 15mm) and 20 slight PS Pegs (diameter 6mm), with lock button function and high bearing strength
- The using quantities of PS Pegs can be placed according to the actual size of the vessel, and it is easy to disassemble.
- The bottom of the bracket is equipped with seamless drainage holes, and the sloping design can quickly drain away the liquid.
- The drain pipe can be connected to the liquid outlet of the drain liquid tank.
- Equip fixed fittings of installation
- 72 hole positions

### 台式安装 Bench Installation



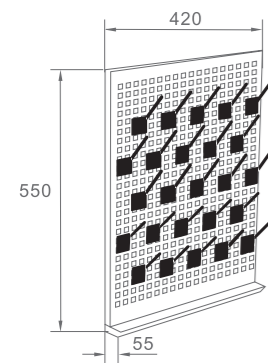
FJ5304A-1B  
单面可调滴水架 (有背板)  
Single face adjustable pegboard (With Back board)

### 滴水架

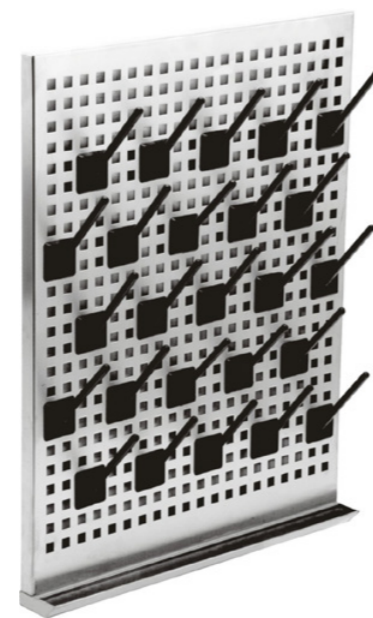
- 材质: 高密度 PP / 不锈钢
- 类型: 单面 / 双面, 底部托盘中间设有排水孔, 可拆卸式滴水棒, 方便使用
- 安装方式: 壁挂式 / 台式

### PEGBOARD

- Material: High grade PP / Stainless steel
- Type: Single faced / double faced Tray hole for water drainage detachable peg, convenient for use
- Installation: Panel mounted / desk mounted



(可定做多种尺寸)  
(Made to order in several of measures)

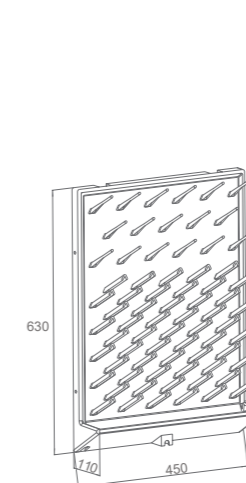


WJH0360 (420x550x55)  
可调式滴水架 (不锈钢)  
Adjustable pegboard (Stainless Steel)

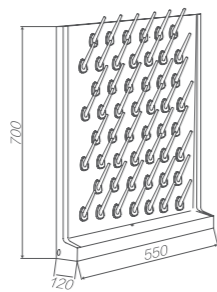
### 壁式安装 Wall mounted Installation



FJ5304ALG  
单面可调滴水架  
Single face adjustable pegboard



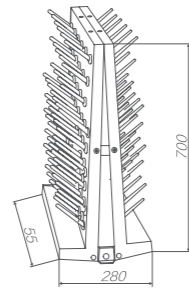
FJ5304AB  
单面可调滴水架  
Single face adjustable pegboard



**WJH0362A**  
PP 单面可调滴水架 (灰色)  
PP Single face adjustable pegboard( grey)



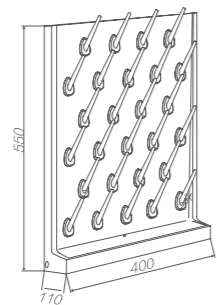
**WJH0362C**  
PP 单面可调滴水架 (黑色)  
PP Single face adjustable pegboard( black )



**WJH0362AA**  
PP 双面可调滴水架 (灰色)  
PP Double faces adjustable pegboard(grey)



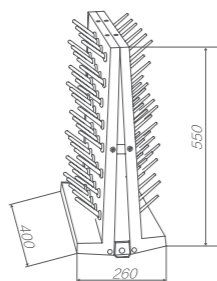
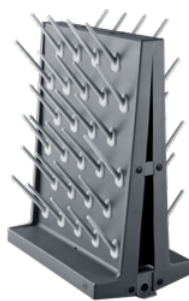
**WJH0362CC**  
PP 双面可调滴水架 (黑色)  
PP Double faces adjustable pegboard(black)



**WJH0362B**  
PP 单面可调滴水架 (灰色)  
PP Single face adjustable pegboard( grey)



**WJH0362D**  
PP 单面可调滴水架 (黑色)  
PP Single face adjustable pegboard( black )



**WJH0362BB**  
PP 双面可调滴水架 (灰色)  
PP Double faces adjustable pegboard(grey)



**WJH0362DD**  
PP 双面可调滴水架 (黑色)  
PP Double faces adjustable pegboard(black)

- 采用高品质 PP 新料注塑成型，致密性高，稳定性强，并具备弹性，韧性，不易老化，变形。  
Sink, Which is injection molded and made of high grade PP fresh material, is of high density, stability and elasticity, Also it is aging resistant.
- 首创 PP 过滤提笼，可解决杂质堵塞管道及不易清洁的问题。  
Innovative PP basket trap solves the jamming problem caused by impurities.
- 标配附件：高强度 PP 去水，含阻水盖、PP 过滤提笼。  
Accessories: High grade PP overflow, including stopper and basket trap.

新品  
NEW



**WJH0356H (浅灰)**  
PP 壁式水槽  
Wall Mounted PP sink  
内尺寸: 285\*90\*105  
外尺寸: 300\*118\*111

新品  
NEW



**WJH0356H (黑)**  
PP 壁式水槽  
Wall Mounted PP sink  
内尺寸: 285\*90\*105  
外尺寸: 300\*118\*111



**PJ-003A**  
PP 下水管  
PP downcomer



**PJ-004A**  
PP 防虹吸瓶式存水器 (P形)  
PP Bottle Trap

新品  
NEW



**WJH0357AY**  
PP 中水槽  
PP Mid-sized Sink  
内尺寸: 390\*290\*260  
外尺寸: 440\*340\*270

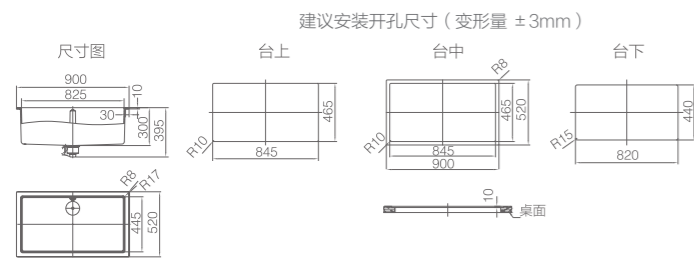
**PP 大水槽 (防溢水功能)**

- 颜色: 黑、白、灰
- 材质: 高密度 PP, 耐强腐蚀及有机溶剂, 如王水
- 表面纹理: 槽沿表面处理为皮纹, 耐刮刮, 与大部分台面表面纹理一致
- 溢水装备: 与水槽主体模具注塑一体成型, 很好地满足实验室洗涤需求
- 附件: 高密度 PP 阻水盖、溢水盖和连接链

**PP Big Sink (anti-overflow design)**

- Color: Black, white, grey.
- Material: High grade PP, resistant to most chemicals and organic solvent, such as Aqua Regia.
- Finish: Matt finish on lip, resistant to scratch & consistent with most worktop finish.
- Overflow: Injection molded as one-piece part of sink body.
- Accessories: High grade PP Drainage cap, Overflow cap, Link chain.

新品  
NEW



**WJH0357CY**  
PP 大水槽 (防溢水功能)  
PP Big Sink  
(anti-overflow design)

内尺寸 / Inside size: 825\*445\*300  
外尺寸 / Outside size: 900\*520\*395



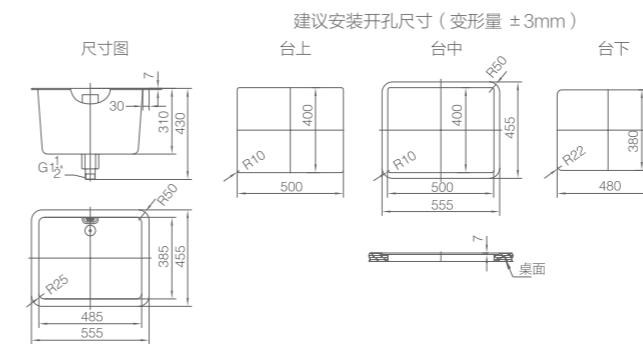
**PP 中水槽 (防溢水功能)**

- 颜色: 黑、白、灰
- 材质: 高密度 PP, 耐强腐蚀及有机溶剂, 如王水
- 表面纹理: 槽沿表面处理为皮纹, 耐刮刮, 与大部分台面表面纹理一致
- 溢水装备: 与水槽主体模具注塑一体成型, 很好地满足实验室洗涤需求
- 附件: 高密度 PP 阻水盖、溢水盖和连接链

**Sink (anti-overflow design)**

- Color: Black, white, grey.
- Material: High grade PP, resistant to most chemicals and organic solvent, such as Aqua Regia.
- Finish: Matt finish on lip, resistant to scratch & consistent with most worktop finish.
- Overflow: Injection molded as one-piece part of sink body.
- Accessories: High grade PP Drainage cap, Overflow cap, Link chain.

新品  
NEW

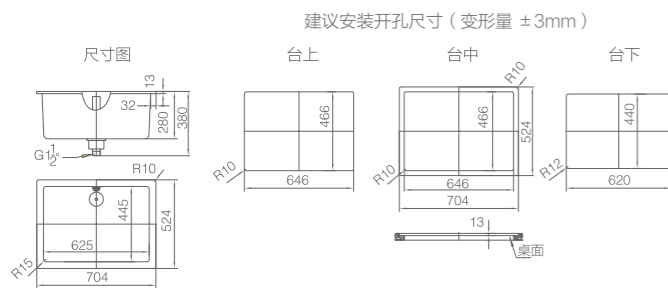


**WJH0357EY4**  
PP 中水槽 (防溢水功能)  
PP Mid-sized Sink  
(anti-overflow design)

内尺寸 / Inside size: 485\*385\*290  
外尺寸 / Outside size: 555\*455\*430



新品  
NEW

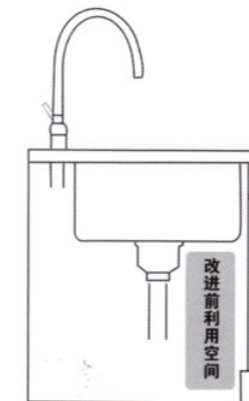


**WJH0357EY3**  
PP 中水槽 (防溢水功能)  
PP Mid-sized Sink  
(anti-overflow design)

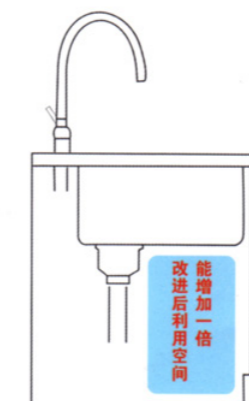
内尺寸 / Inside size: 625\*445\*280  
外尺寸 / Outside size: 704\*524\*380



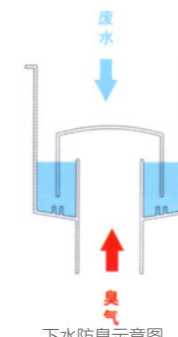
- 水槽的下水结构和位置经过我们重新设计之后, 更加合理和实用。下水口带存水功能, 能防止下水道臭气溢出, 无需再装存水弯, 不仅节约成本, 还能减少占用空间。而下水口的位子移到靠龙头侧边, 使得水槽底下用空间增加一倍以上。
- After our redesign the structure and position of PP sink drainer, it is more reasonable and practical. The drainer is designed with function of storing water. It can prevent the stench overflow from sewer and no longer need to install the PP Trap. It not only saves cost, but also reduces occupancy space. The location of the drainer moves to the side of the tap so that the available space under the sink increased more than doubled.



Using space before improvement



Using space after improvement



Schematic diagram of water deodorization

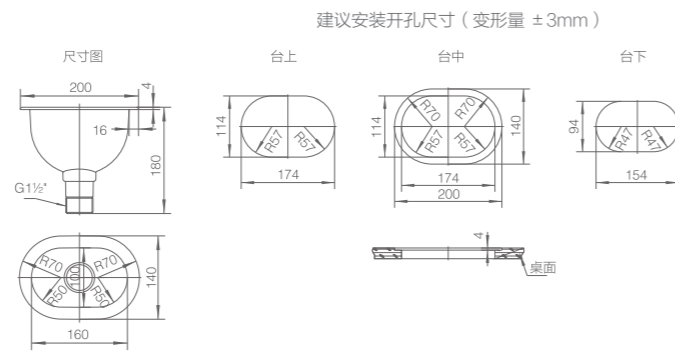


下水结构  
downcomer structure

**WJH0356**

PP 小水槽  
PP Cup Sink

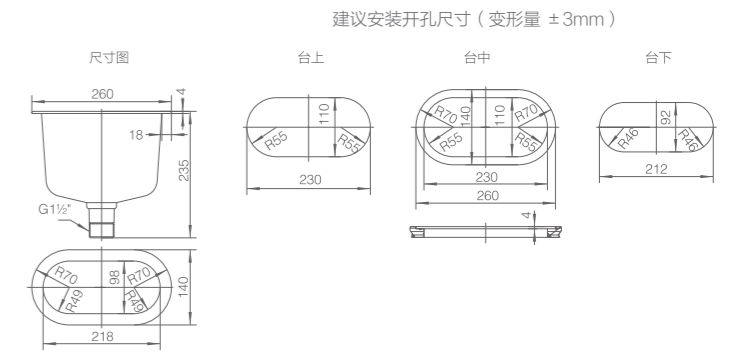
内尺寸: 160\*100\*106  
外尺寸: 200\*140\*180



**WJH0356C**

PP 小水槽  
PP Cup Sink

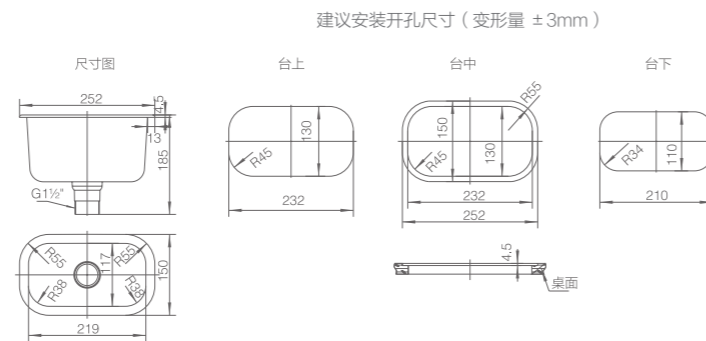
内尺寸: 218\*98\*150  
外尺寸: 260\*140\*235



**WJH0356A**

PP 小水槽  
PP Cup Sink

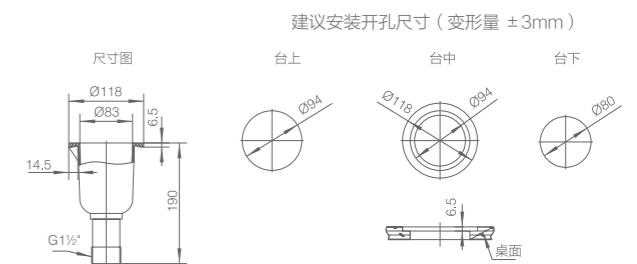
内尺寸: 219\*117\*122  
外尺寸: 252\*150\*185



**WJH0356E**

PP 小水杯  
PP Cup Sink

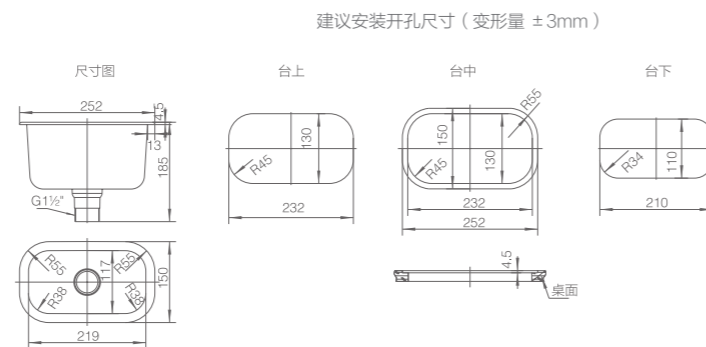
内尺寸: 84\*120  
外尺寸: 118\*190



**WJH0356B**

PP 小水槽  
PP Cup Sink

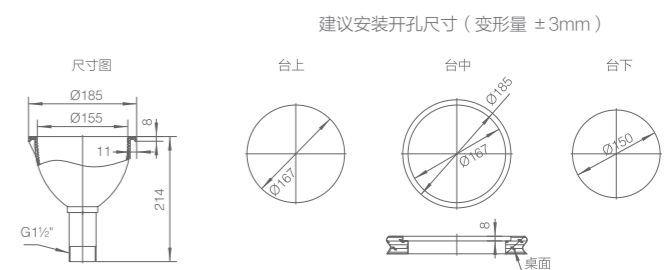
内尺寸: 219\*117\*122  
外尺寸: 252\*150\*185



**WJH0356F**

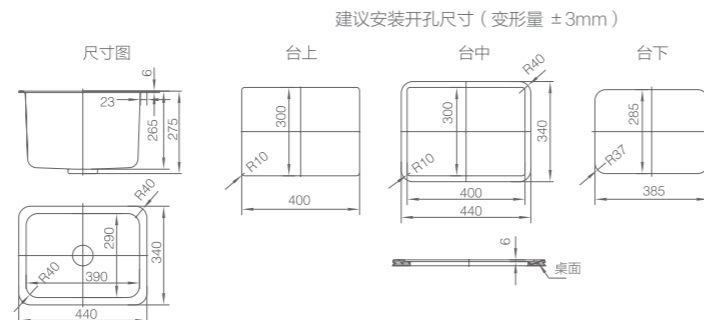
PP 小水杯  
PP Cup Sink

内尺寸: 155\*120  
外尺寸: 185\*214



### WJH0357A

PP 中水槽  
PP Mid-sized Sink  
内尺寸: 390\*290\*265  
外尺寸: 440\*340\*275



### PP 水槽 / 杯槽

- 颜色: 黑、白、灰
- 材质: 高密度 PP, 耐强腐蚀
- 表面纹理: 槽沿表面处理为皮纹, 耐刮刮, 与大部分台面表面纹理一致
- 附件: 高密度 PP 去水、滤片和阻水盖

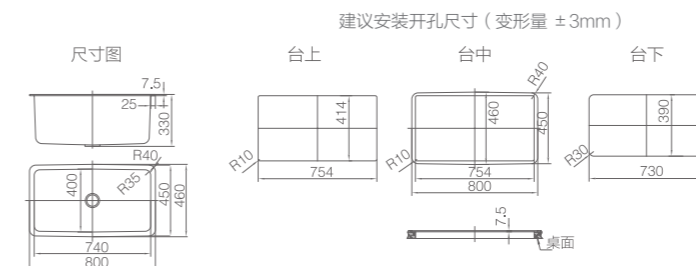
### PP SINK/CUP SINK

- Color:black,white,gray
- Material:high grade polypropylene,resistant to most chemicals
- Finish:leather finish on lip,resistant to scratch&consistent with most of worktops'finish
- Accessories:high grade PP overflow,filter&stopper



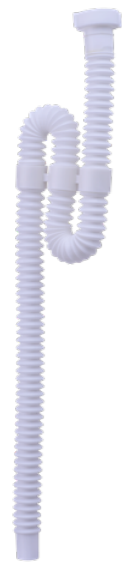
### WJH0357C

PP 大水槽  
PP Big Sink  
内尺寸: 740\*400\*310  
外尺寸: 800\*460\*330



### PJ-001

PP 下水管存水器 (S形)  
PP downcomer and trap



### PJ-002

PP 下水管存水器 (S形)  
PP downcomer and trap



### PJ-003

PP 下水管  
PP downcomer



### PJ-004

PP 防虹吸瓶式存水器 (P形)  
PP Bottle Trap



### PJ-005

PP 防虹吸瓶式存水器 (P形)  
PP Bottle Trap



### PJ-006

PP 下水器  
PP Drainer



### PJ-007

PP 提笼  
PP Basket Trap



### PJ-008

PP 下水口盖  
PP Drainer



### WJH0357E

PP 中水槽  
PP Mid-sized Sink  
内尺寸: 500\*400\*290  
外尺寸: 550\*450\*320



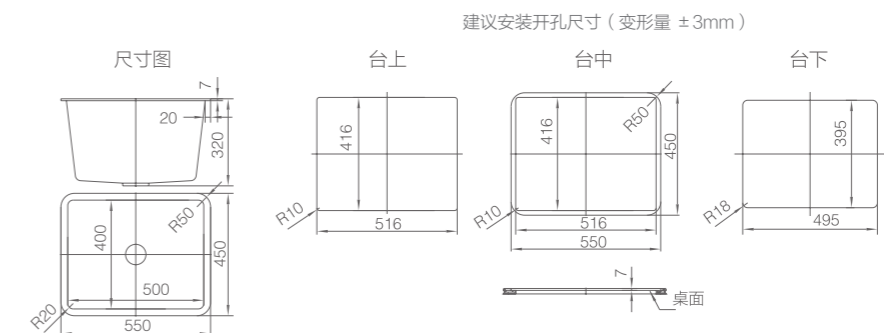
### WJH0357B

PP 中水槽  
PP Mid-sized Sink  
内尺寸: 500\*400\*290  
外尺寸: 550\*450\*320



### WJH0357F

PP 中水槽  
PP Mid-sized Sink  
内尺寸: 500\*400\*290  
外尺寸: 550\*450\*320



不锈钢水槽系列

主体: 304 不锈钢

属性: 无需开模, 纯手工制作, 可生产任何尺寸

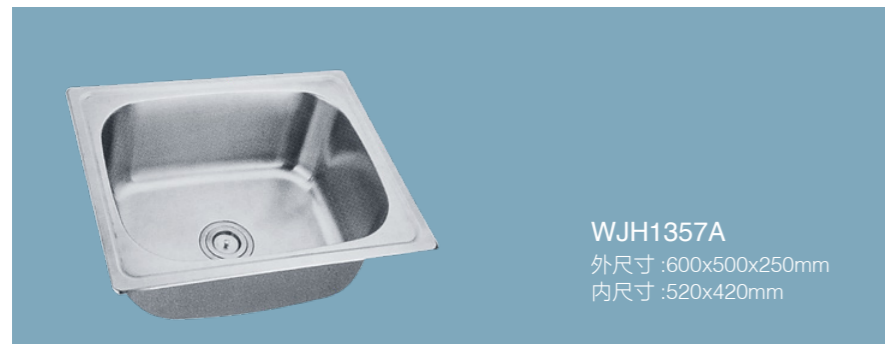
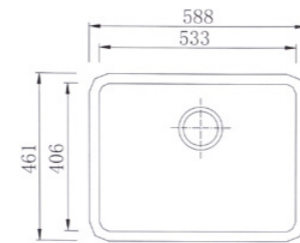
STAINLESS STEEL SINK

Body: 304 Stainless steel

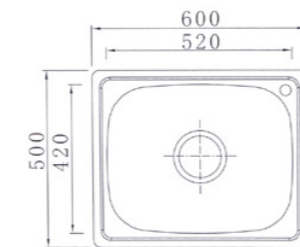
Property: Purely handmade, without moulding and can do any size



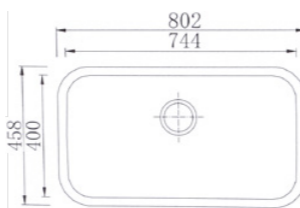
WJH1357  
外尺寸 :588x461x228mm  
内尺寸 :533x406x228mm



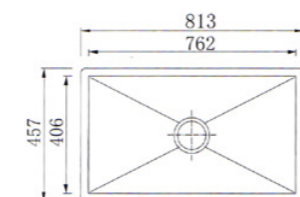
WJH1357A  
外尺寸 :600x500x250mm  
内尺寸 :520x420mm



WJH1357B  
外尺寸 :802x458x228mm  
内尺寸 :744x400x228mm



WJH1357C  
外尺寸 :813x457x255mm  
内尺寸 :762x406x255mm

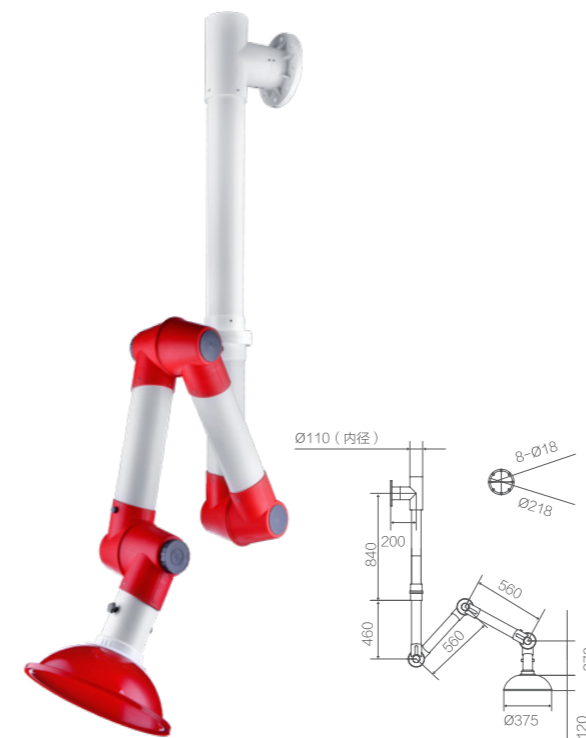


万向抽气罩 (吸顶式、壁式)

- 关节: 高密度 PP 材质, 可 360° 旋转调节方向, 易拆卸、重组及清洗
- 关节密封圈: 不易老化之高密度橡胶
- 支撑弹簧 / 关节连接杆: 304 不锈钢
- 关节松紧旋钮: 高密度 PP 制成, 内嵌铜质螺母, 与关节连接杆锁合
- 气流调节阀: 手动调节外部阀门旋钮, 控制进入之气流
- 拱形 / 杯形集气罩: 直径 375mm/200mm, 高密度 PP 制成, 红色、灰色和透明三种选择
- 伸缩导管: 直径 110mmPVC
- 固定架: 高密度 PP 材质 (吸顶式 / 壁式)

FUME EXHAUST(CEILING/WALL)

- Joint: High grade PP, to be 360° swiveled, dismantled & assembled easily for cleaning
- Joint seal ring: low-friction treated rubber
- Support spring/center bolt: Stainless steel 304
- Adjustable joint knob: High grade PP with a molded-in brass nut locking with center bolt
- Damper: To manually adjust airflow by a knob
- Dome/cup hood: D375mm/200mm, high grade PP red, grey & transparent available
- Tube: D110mm PVC
- Bracket: High grade PP (ceiling/wall mounted)



WJH0604B-1  
万向壁式抽气罩 (三节)  
Ceiling Fume Exhaust(3 Joint)



WJH0604B  
万向顶式抽气罩 (三节)  
Ceiling Fume Exhaust(3 Joint)

### 铝合金三节万向抽气罩

- 关节: 高密度 PP 材质, 可 360 旋转调节方向, 易拆卸、重组及清洗。
- 关节及密封圈: 不易老化之高密度橡胶
- 关节连接杆: 304 不锈钢
- 关节松紧旋钮: 高密度 PP 材质, 内嵌不锈钢轴承, 于关节连接杆锁合
- 气流调节阀: 手动调节外部阀门旋钮, 控制进入之气流
- 拱形 / 杯形集气罩: 高密度 PP/PC 材质
- 伸缩导管: 75mm 铝合金管 /PP 管 /PVC 管
- 独有 360 旋转装置: 以固定架为中心最大活动半径可达 1600mm
- 固定底座: 非粘接而成, 模具注塑一体成型, 牢度强, 不脱底。

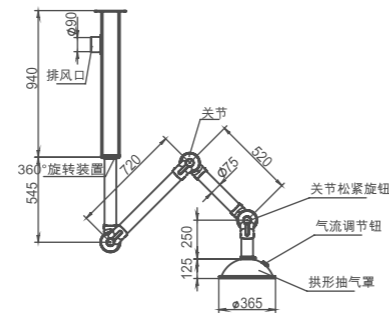
### Aluminium Alloy 3 Joints Fume Extractor

- Joint: high grade PP, to be 360° swiveled, easy to dismantle, assemble & clean
- Sealing ring: low-friction treated rubber
- Center bolt: 304 stainless steel
- Adjustable joint knob: High grade PP, embedded stainless steel bearing, locked lever in joints.
- Air flow control valve: adjust the external valve knob manually to control the entering of the gas flow
- Arch/Cup gas-collecting hood: high density PP/PC material
- Tube: 75mm aluminum alloy
- Unique 360° rotary device: with a fixed frame as the center, radius of activities is 1600 mm
- Installation bracket: injection of plastics from a complete mold, mounting panel strongly connected to the joint



WJH0607-3L

万向顶式抽气罩 (三节, 铝合金)  
Aluminium Alloy 3 Joints Fume Extractor



### 铝合金三节万向抽气罩

- 关节: 高密度 PP 材质, 可 360 旋转调节方向, 易拆卸、重组及清洗。
- 关节及密封圈: 不易老化之高密度橡胶
- 关节连接杆: 304 不锈钢
- 关节松紧旋钮: 全铜材质, 内嵌不锈钢轴承, 于关节连接杆锁合
- 气流调节阀: 手动调节外部阀门旋钮, 控制进入之气流
- 拱形 / 杯形集气罩: 高密度 PP/PC 材质
- 伸缩导管: 75mm 铝合金管 /PP 管 /PVC 管
- 独有 360 旋转装置: 以固定架为中心最大活动半径可达 1600mm
- 固定底座: 非粘接而成, 模具注塑一体成型, 牢度强, 不脱底。

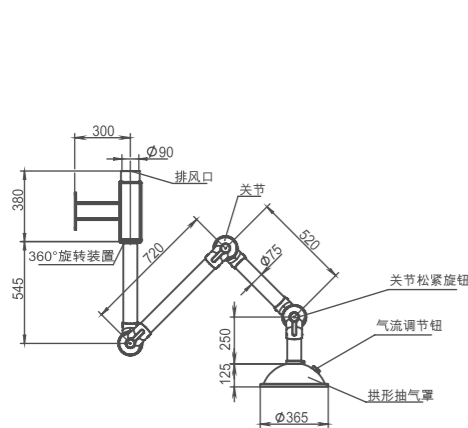
### Aluminium Alloy 3 Joints Fume Extractor

- Joint: high grade PP, to be 360° swiveled, easy to dismantle, assemble & clean
- Sealing ring: low-friction treated rubber
- Center bolt: 304 stainless steel
- Adjustable joint knob: brass material, embedded stainless steel bearing, locked lever in joints.
- Air flow control valve: adjust the external valve knob manually to control the entering of the gas flow
- Arch/Cup gas-collecting hood: high density PP/PC material
- Tube: 75mm aluminum alloy
- Unique 360° rotary device: with a fixed frame as the center, radius of activities is 1600 mm
- Installation bracket: injection of plastics from a complete mold, mounting panel strongly connected to the joint



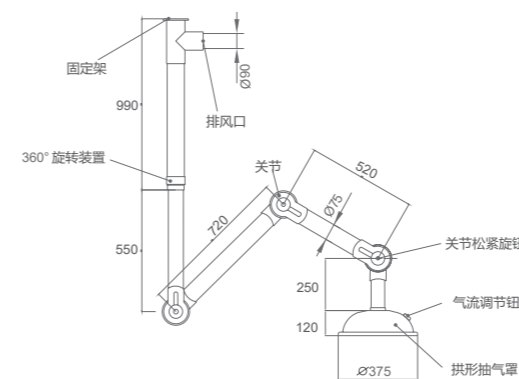
WJH0607-3

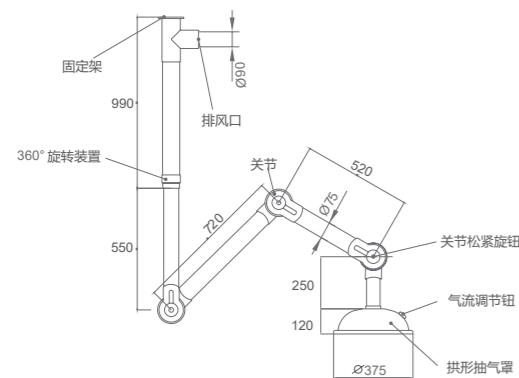
万向顶式抽气罩 (三节, 铝合金)  
Aluminium Alloy 3 Joints Fume Extractor



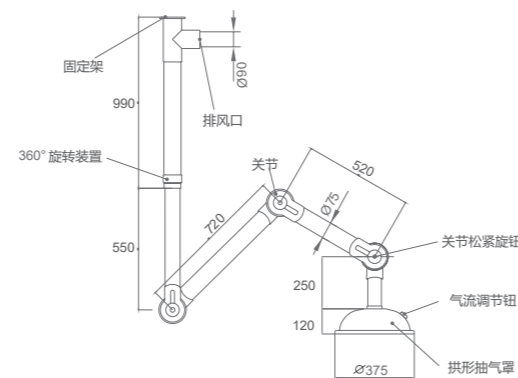
WJH0607-3B

万向壁式抽气罩 (三节, 铝合金)  
Aluminium Alloy 3 Joints Fume Extractor wall type





**WJH0607-1**  
万向顶式抽气罩 (三节)  
Ceiling Fume Exhaust (3 Joint)



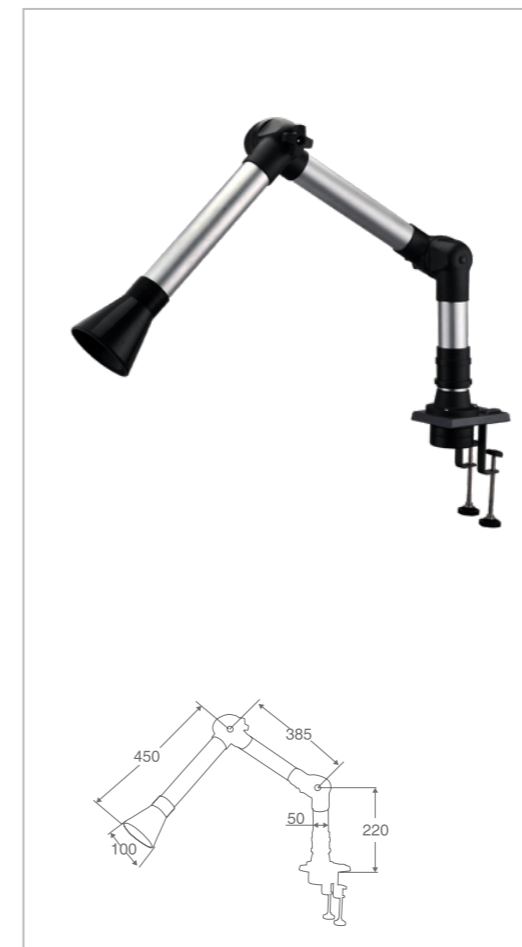
**WJH0607-2**  
万向顶式抽气罩 (三节)  
Ceiling Fume Exhaust (3 Joint)

**新型万向抽气罩**

- 关节: 高密度不锈钢丝与进口尼龙制造, 可随意调整角度, 易拆卸、清洗
- 管体: 采用合金材料制造, 美观大方
- 调控装置: 采用气动撑杆控制高度, 内外合金管伸缩控制长度
- 气流调节阀: 手动调节外部阀门旋钮, 控制进入之气流量
- 气流拱形集气罩: 高密度 PP/PC 材质
- 旋转装置: 安装 360° 旋转装置, 以固定架为中心, 最大活动半径可达 1250mm
- 固定底座: 模具注塑一体成型, 牢度强, 不脱底。

**FUME EXHAUST**

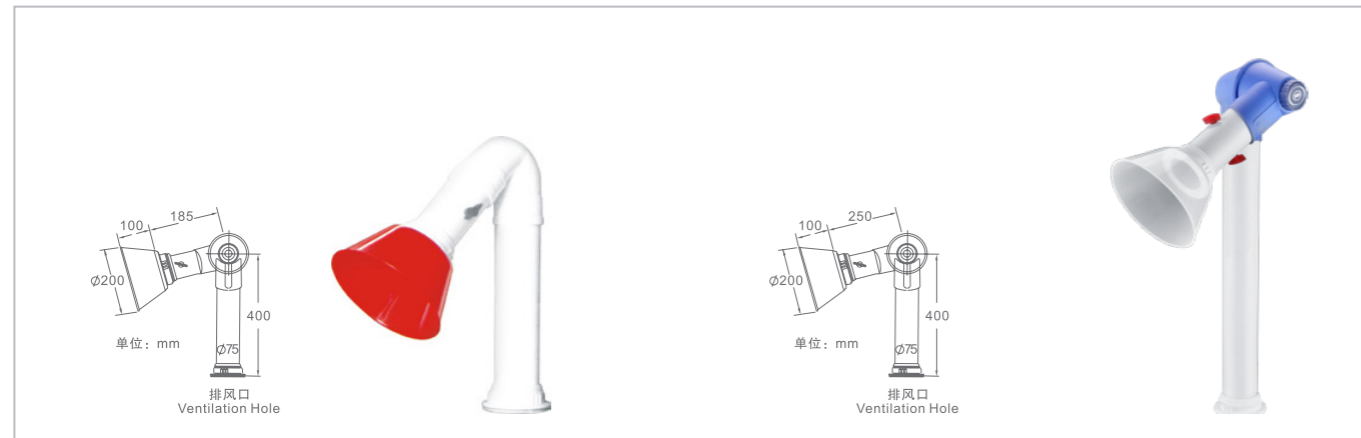
- Joint: Made of high-strength stainless steel wire and imported nylon, to be 360, swiveled, easy to dismantle and clean.
- Tube body: Made of alloy material, very elegant.
- Controls: Using pneumatic jackstay to control the height, inside and outside alloy tube flex to control the length
- Damper: manually adjusting the outside valve knob and control the entered air flow.
- Dome hood: High Grade PP/PC.
- Swing device: Install a 360° rotary device, with a fixed frame as the center, radius of activities is 1250mm
- Installation bracket: injection of plastics from a complete mold, mounting panel strongly connected to the joint



**WJH0603C**  
万向台式抽气罩 (PC/金属组成) (二节)  
Ceiling PC Fume Exhaust (2 Joint)

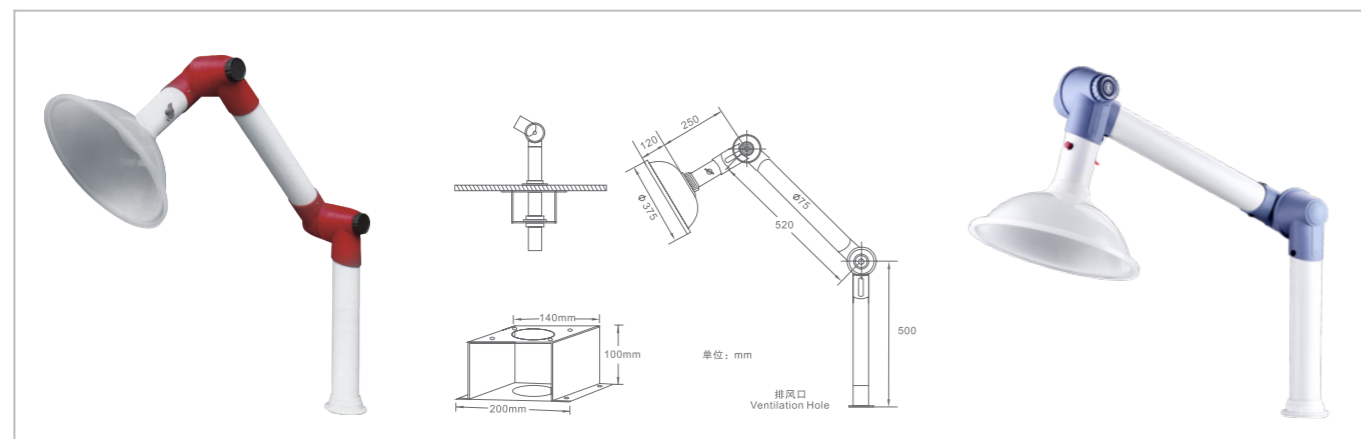


**WJH0611**  
万向台式电子吸收罩 (PP) 50  
Universal desktop electronic  
absorption cover (PP) 50



**WJH0601**  
台式抽气罩（一节）  
Bench Fume Exhaust(1 Joint)

**WJH0602**  
台式抽气罩（一节）  
Bench Fume Exhaust(1 Joint)



**WJH0602A**  
台式抽气罩（二节）  
Bench Fume Exhaust(2 Joint)

**WJH0602B**  
台式抽气罩（二节）  
Bench Fume Exhaust(2 Joint)



**WJH0605**  
原子吸收罩  
Atomic Absorption Extraction

**原子吸收罩**

主体：不锈钢  
导管：在一定范围内，可自由伸缩  
可接受来样定做

**Atomic Absorption Extractor**

Body: Stainless steel  
Tube: In a certain scope, can freely adjustable  
Acceptable sample customized

**管道风机 RWD 系列**

- 双速电机，同时配备热过载保护，所有电机采用电子式或自动调压式速度控制
- 已安装电机及混流桨叶，合理组装，在低噪音情况下具有较高风量
- 叶片采用强力 ABS 塑料，250 型及 315 型采用电镀钢材
- 专为管道通风而设计
- 尺寸由 100mm 至 315mm，风量由 130m<sup>3</sup>/h 至 2000m<sup>3</sup>/h，最大运行温度为 40°C

**RWD Pipe Fan Series**

- Two-speed motor, equipped with thermal overload protection at the same time, all motor adopts electronic or automatic regulating speed control
- Installed motors and mixed flow blade, a reasonable assembly, under the condition of low noise with high air volume
- Blade adopts strong ABS plastic, type 250 and 315 type using galvanized steel
- Specially designed for ventilation pipe
- Size from 100 mm to 315 mm, the air volume from 130m<sup>3</sup>/h to 2000 m<sup>3</sup>/h, maximum operating temperature of 40 °C



**WJH1588**  
实验室轴流风机  
Laboratory of axial flow fan

Model	A	φB	C	φD	E	F	G	H	J	kg
MTD100/2	303	176	115	97	100	90	80	60	188	2.00
MTD125	258	176	115	123	100	90	80	60	188	2.00
MTD160	275	200	127	157	112	130	80	60	212	4.90
MTD200	302	217	141	198	124	140	100	94	232.5	4.90
MTD250	386	272	192	248	155	168	145	140	291	9.40



PVC 风机变径接头  
PVC fan reducer  
直径：250 变径 200  
直径：250 变径 160  
直径：250 变径 110



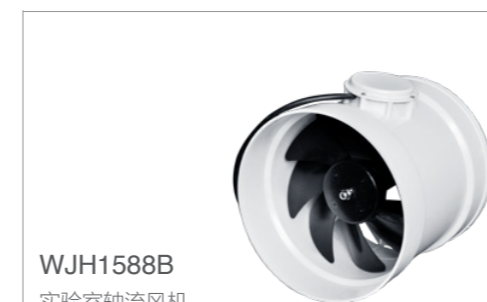
**WJH1588A**  
实验室离心风机  
Laboratory of centrifugal fan

**PP 一次性注塑成型通风柜独立风机（离心式）**

名称	实验室通风系统专用风机		
型号	FF-250	功率	300W
电压	交流 220V	频率	50-60Hz
静压	290pa	噪音	60db
转速	2800 转 / 分	排风口径	250mm
风量	2300m <sup>3</sup> /h		



实验室风阀



**WJH1588B**  
实验室轴流风机  
Laboratory of axial flow fan

**PP 通风柜独立风机（立式）**

名称	实验室通风系统专用风机		
型号	FF-250	功率	110W
电压	交流 220V	频率	50-60Hz
静压	90pa	噪音	40db
转速	1450 转 / 分	排风口径	250mm
风量	1850m <sup>3</sup> /h	工作方式	轴流式

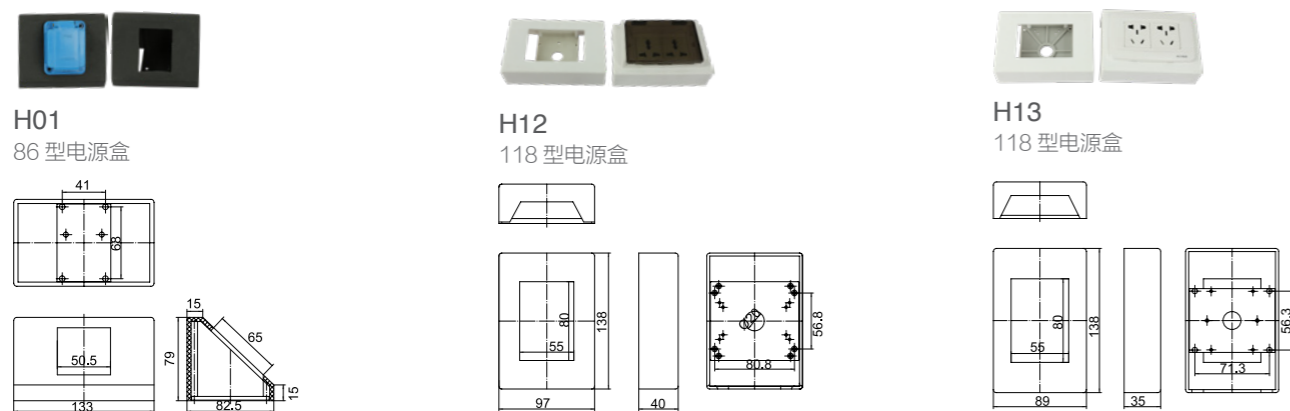
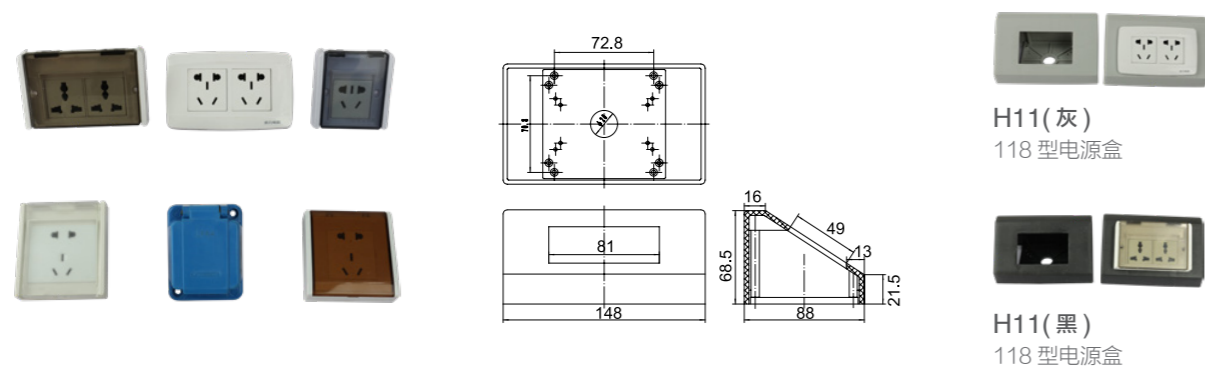


实验室轴流风机



### 市场常见配件

Gas-collecting Hood (Special for fume Hood)



水阀 / 气阀旋钮配色表 (依照德国 DIN standard 13792:2002 标准)

DIN EN 13792:2002 Recommendation

Colour Coding of Operating Handles

气体 / 液体 MEDIA	气体 / 液体 MEDIA	气体 / 液体 MEDIA
Irrigation water 灌溉用水 WCS	Butane 丁烷 C <sub>4</sub> H <sub>10</sub>	Argon 氩 Ar
Hot drinking water 热饮用水 WPH	Ethylene 乙烯 C <sub>2</sub> H <sub>4</sub>	Helium 氦 He
Cold drinking water 冷饮用水 WPC	Propylene 丙烯 C <sub>3</sub> H <sub>6</sub>	Ammonia 氨气 NH <sub>3</sub>
Well water 井水 WSP	Butylene 丁烯 C <sub>4</sub> H <sub>8</sub>	Nitrogen 二氧化氮 NO <sub>2</sub>
Hot industrial water 热工业用水 WNH	Acetylene 乙炔 C <sub>2</sub> H <sub>2</sub>	Hydrogen Sulphide 硫化氢 H <sub>2</sub> S
Cold industrial water 冷工业用水 WNC	Argon/Methane 氩 / 甲烷 AR/CH <sub>4</sub>	Arsin 砷化氢 AsH <sub>3</sub>
Steam water 蒸汽 WST	Hydrogen/Nitrogen 氢气 / 氮气 H <sub>2</sub> /N <sub>2</sub>	Phosfine 磷化氢 PH <sub>3</sub>
Condensate water 冷凝水 WCO	Hydrogen 氢气 H <sub>2</sub>	Hydrochloric acid 盐酸 HCL
Pure hot water 纯热水 WCH	Silan 硅烷 SiH <sub>4</sub>	Sulphurous Acid 亚硫酸 SO <sub>2</sub>
Return cooling water 冷却回水 WCR	Hydrogen/Helium 氢气 / 氦气 H <sub>2</sub> /HE	Carbon Monoxide 一氧化碳 CO
Cooling water 冷却水 WCF	Deuterium 氘气 D <sub>2</sub>	Phosgene 光气 COCL <sub>2</sub>
Pure cold water 纯冷水 WCC	Nitrogen 氮气 N <sub>2</sub>	Chloride 氯气 CL <sub>2</sub>
Hot surface water 热表层水 WSH	Nitrogen monoxide 一氧化二氮 N <sub>2</sub> O	Vacuum 真空 V
Cold surface water 冷表层水 WSC	Sint.Air 80/20 SA	Low vacuum 低真空 VF
Hot demineralised 热软化水 Water WDH	Compressed air 压缩空气 CA	High vacuum 高真空 VH
Cold demineralised 冷软化水 water WDC	Oxygene 氧气 O <sub>2</sub>	Formaldehyde solution 甲醛 CH <sub>2</sub> O
Hot fresh water 热淡水 WRH	Carbon dioxide 二氧化碳 CO <sub>2</sub>	Propanol 丙醇 C <sub>3</sub> H <sub>8</sub> O
Cold fresh water 冷淡水 WRC	High pressure air 高压空气 RA	Methanol 甲醇 CH <sub>4</sub> O
Distilled water 蒸馏水 WDI	Breathing air BA	Acetone 丙酮 C <sub>3</sub> H <sub>6</sub> O
Town gas 煤气 G	Carbogen 混合氧 CB	Trichloroethylene 三氯乙烯 C <sub>2</sub> HCL <sub>3</sub>
Propane/butane 丙烷 / 丁烷 LPG cylinder	Krypton 氙 Kr	Perchloric acid 高氯酸 HCLO <sub>4</sub>
Methane 甲烷 CH <sub>4</sub>	Xenon 氙 Xe	
Propane 丙烷 C <sub>3</sub> H <sub>8</sub>	Neon 氖 Ne	

公司部分业绩  
PART OF COMPANY PERFORMANCE

- 辽宁鞍山灵山医院
- 吉林工业大学
- 伊春市罗仕医院
- 哈尔滨第六制药厂
- 大连化工研究设计院
- 北京大兴妇幼保健院
- 北京首都耳鼻喉眼科医院
- 广西贺州人民医院
- 南宁人民医院
- 内蒙古陈巴尔虎动物卫生监督所
- 内蒙莫旗动物疾病预防控制中心
- 内蒙古中医院
- 青海盐湖研究院
- 兰州大学
- 饶阳县中医院
- 衡水疾控中心
- 衡水动物疾病中心
- 河北大学附属医院
- 冀衡集团
- 石药集团
- 华北制药
- 河北师范大学
- 天津理工大学
- 天津南开大学化学系
- 北京积水潭医院
- 北京朝阳北京整形医院
- 北京海淀医院
- 渤海职业技术学院
- 郑州东方美容医院
- 商丘疾病预防控制中心
- 商丘平原医院
- 益海嘉里粮油
- 新疆建设兵团
- 中电四公司
- 阳煤集团
- 鄂尔多斯市金诚泰化工有限责任公司
- 中煤黑龙江煤炭化工(集团)有限公司
- 四平昊华化工有限公司
- 内蒙古临海化工股份有限公司
- 利乐(中国)集团
- 蒙牛集团
- 光明乳业
- 哈尔滨双城娃哈哈食品饮料有限公司
- 双城娃哈哈乳品有限公司
- 中国石化第十建设公司
- 威海滨海石油钻探有限公司
- 中石油长城钻探
- 天津精华石化有限公司
- 天津金海石油工程服务有限公司
- 大庆东正油田
- 云南云天化国际化工股份有限公司
- 北京同仁医院
- 北京军区总医院
- 北京口腔医院
- 天津通标公司
- 天津泰达学院
- 天津大学环境学院土建馆
- 天津武警医学院
- 天津市武医学院
- 天津医大总医院
- 天津化工研究设计院
- 天津大学
- 天津泰达学院
- 天津科技大学
- 天津南开大学
- 天津河北工业大学
- 天津工业大学
- 天津血液中心
- 天津塘沽血站
- 天津天士力集团
- 天津力生制药
- 天津万佳
- 石家庄科技开发区
- 河北北方学院
- 保定肉联厂
- 天津中国石化
- 哈尔滨生命科学院
- 吉林大学农学部
- 锦州疾病预防控制中心
- 航天三十一所
- 大连轻工学院
- 大连水产学院
- 大连昆阳药业
- 大连联华手性公司
- 大连海事大学
- 大连三仪动物药品
- 东北林业大学园林学院
- 东北林业大学动资学院
- 渤海大学
- 纽迪希亚
- 长春博泰
- 鞍山钢铁
- 山东烟台海军工程指挥学院
- 山东福瑞达生化公司
- 山东农科院高新技术
- 山东菏泽医专
- 山东省畜牧局
- 山东中医药大学
- 农业部动物检疫所
- 东营轮胎
- 贝卡尔特
- 德州学院
- 青岛血液中心
- 上海师范大学
- 上海技术物理研究所
- 上海医药工业研究院
- 上海中钞油墨

温馨提示:  
1. 以上只是部分业绩, 尚有众多知名案例未尽其中。  
2. 排名不分先后。