

Low Range Turbidity Sensor

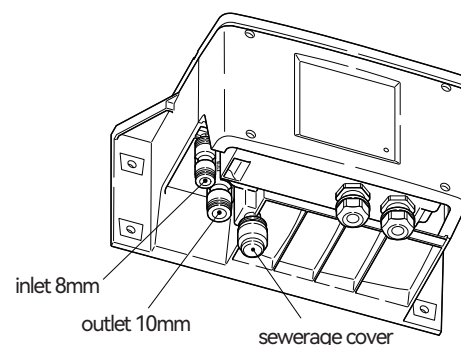
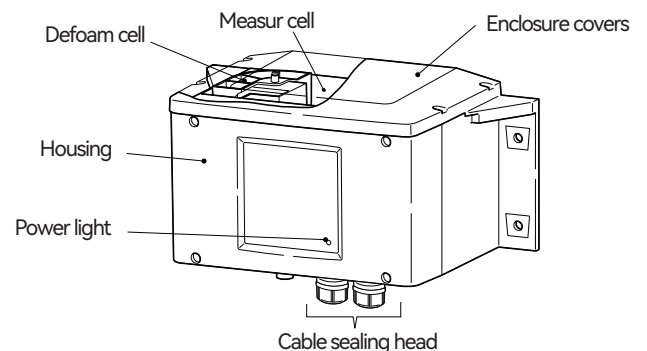
innoSens 850T

The innoSens 850T low range turbidity sensor can measure ultra-low range turbidity, with built-in anti-foam structure and anti-condensation function to ensure stable and high-precision measurement. With LED light source, no need to replace within ten years, widely used in tap water outlets, engineering drainage outlets and other types of clean water quality turbidity online monitoring.

Applicable Controllers

innoCon 6800T-5 low range online turbidity analyser
Flumsys 10TC Controller

Technical parameter	
Product type:	innoSens 850T
Measuring principle:	90° scattered light
Measuring range:	0.0001-100NTU (FTU)
Resolution:	0.0001/0.001NTU (FTU)
Accuracy:	±2% reading or ±0.02NTU, take largest
Light source:	LED
Light source life:	>7 years
Anti-foaming function:	Yes
Anti-fogging function:	Yes
Automatic sewage function:	Option
Response time:	<30s
Inlet water flow:	100-200ml/min
Working temperature:	0-50°C
Protection class:	IP65
Installation:	wall mounted
Dimension:	160×260×150mm
Weight:	Ca.2kg



Note: Always tighten the fixing screws on the housing cover. If the screws are loose, the turbidity may not be measured correctly due to light entering the measuring tank or dust in the measuring water.

Order Guide

Order No.	Description
33-6800-35	innoSens 850T Highly Accurate Turbidity Sensor