

United
States
of
America



To Promote the Progress



of Science and Useful Arts

The Director

of the United States Patent and Trademark Office has received an application for a patent for a new, original, and ornamental design for an article of manufacture. The title and description of the design are enclosed. The requirements of law have been complied with, and it has been determined that a patent on the design shall be granted under the law.

Therefore, this United States

Patent

grants to the person(s) having title to this patent the right to exclude others from making, using, offering for sale, or selling the design throughout the United States of America or importing the design into the United States of America for the term set forth by law.

Katherine Kelly Vidal

DIRECTOR OF THE UNITED STATES PATENT AND TRADEMARK OFFICE

Maintenance Fee Notice

No maintenance fees are required in design patents.

Patent Term Notice

If the application for this patent was filed on or after May 13, 2015, the term of this patent is 15 years from the date of grant of this patent, subject to any disclaimer under 35 U.S.C. 253. If the application for this patent was filed prior to May 13, 2015, the term of this patent is 14 years from the date of grant of this patent, subject to any disclaimer under 35 U.S.C. 253.



USOD1045034S

(12) **United States Design Patent**
Liang

(10) **Patent No.:** **US D1,045,034 S**

(45) **Date of Patent:** **** Oct. 1, 2024**

(54) **KITCHEN SINK**

77/022; A47B 77/06; E03C 1/18; E03C

1/04; E03C 1/33; E03C 1/14

See application file for complete search history.

(71) Applicant: **Foshan Shunde Yashite Kitchen and Toilet Products Co., Ltd.**, Foshan (CN)

(56) **References Cited**

U.S. PATENT DOCUMENTS

(72) Inventor: **Shenghe Liang**, Guangdong (CN)

D700,300 S * 2/2014 Rachiele D23/284

D721,167 S * 1/2015 O'Brien D23/308

D854,130 S * 7/2019 Chen D23/293.1

D869,621 S * 12/2019 Liang D23/288

(**) Term: **15 Years**

* cited by examiner

(21) Appl. No.: **29/872,694**

Primary Examiner — Robert A Delehanty

(22) Filed: **Mar. 16, 2023**

(57) **CLAIM**

The ornamental design for a kitchen sink, as shown and described.

(30) **Foreign Application Priority Data**

DESCRIPTION

Mar. 1, 2023 (CN) 202330084139.9

FIG. 1 is a front and bottom perspective view of a kitchen sink, showing my new design;

(51) **LOC (14) Cl.** **23-02**

FIG. 2 is a front and top perspective view thereof;

(52) **U.S. Cl.**

FIG. 3 is a front elevation view thereof;

USPC **D23/284**

FIG. 4 is a rear elevation view thereof;

(58) **Field of Classification Search**

FIG. 5 is a left side elevation view thereof;

USPC D23/284, 286, 287, 290, 293.1, 308

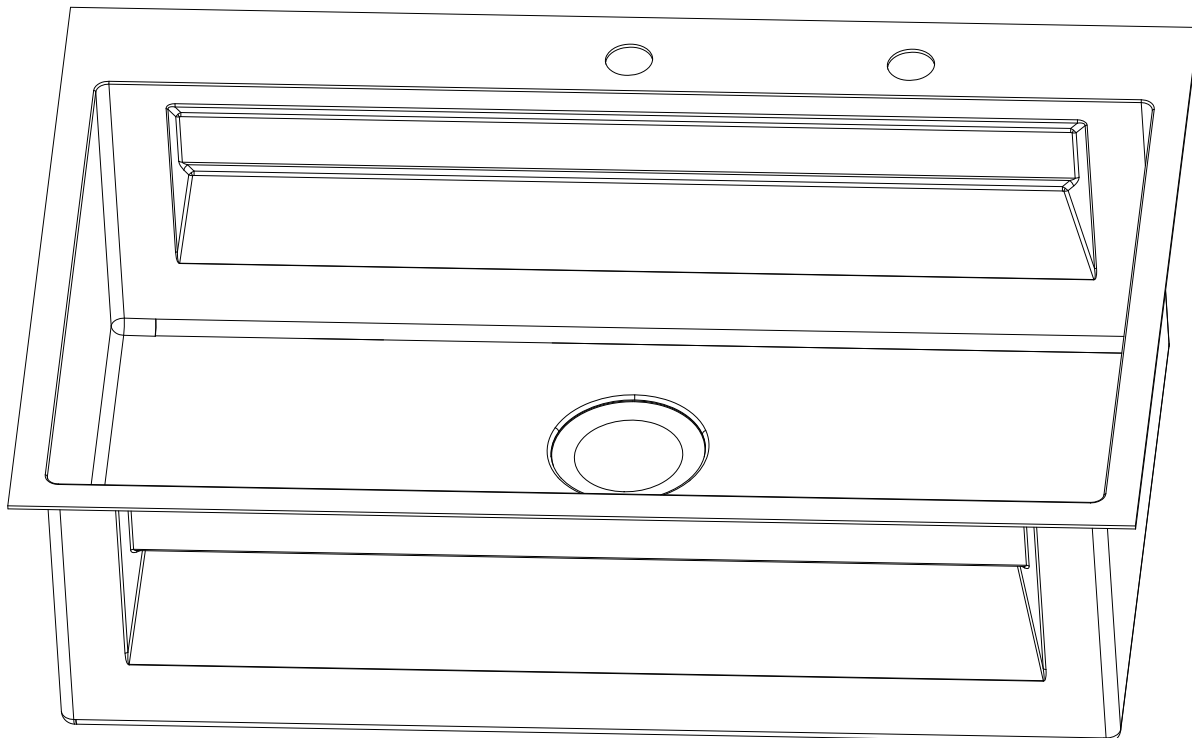
FIG. 6 is a right side elevation view thereof;

CPC A47B 2220/03; A47B 2077/027; A47B

FIG. 7 is a top plan view thereof; and,

FIG. 8 is a bottom plan view thereof.

1 Claim, 8 Drawing Sheets



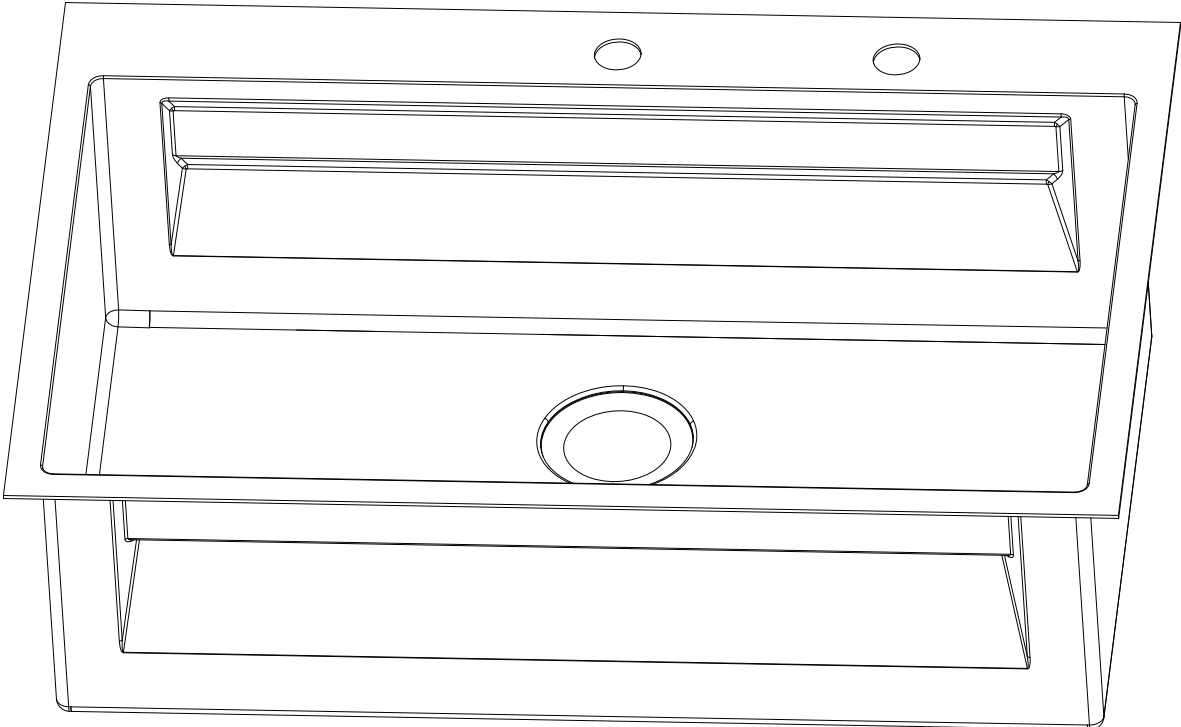


FIG.1

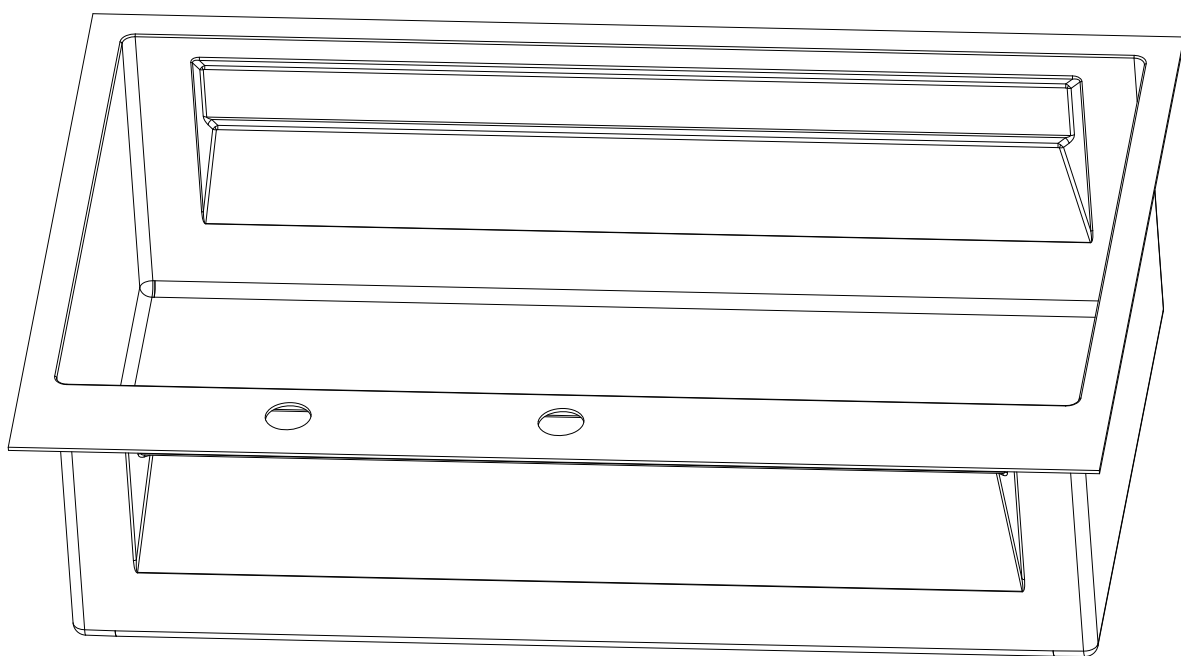


FIG.2

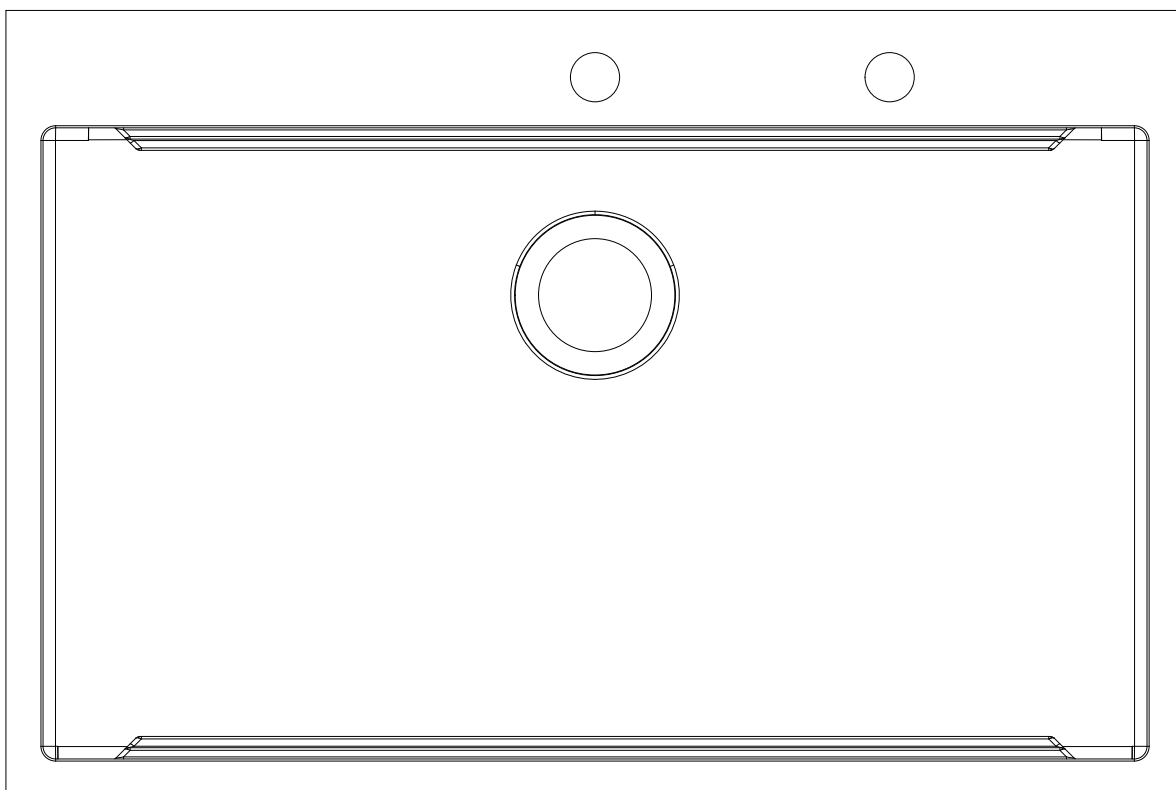


FIG.3

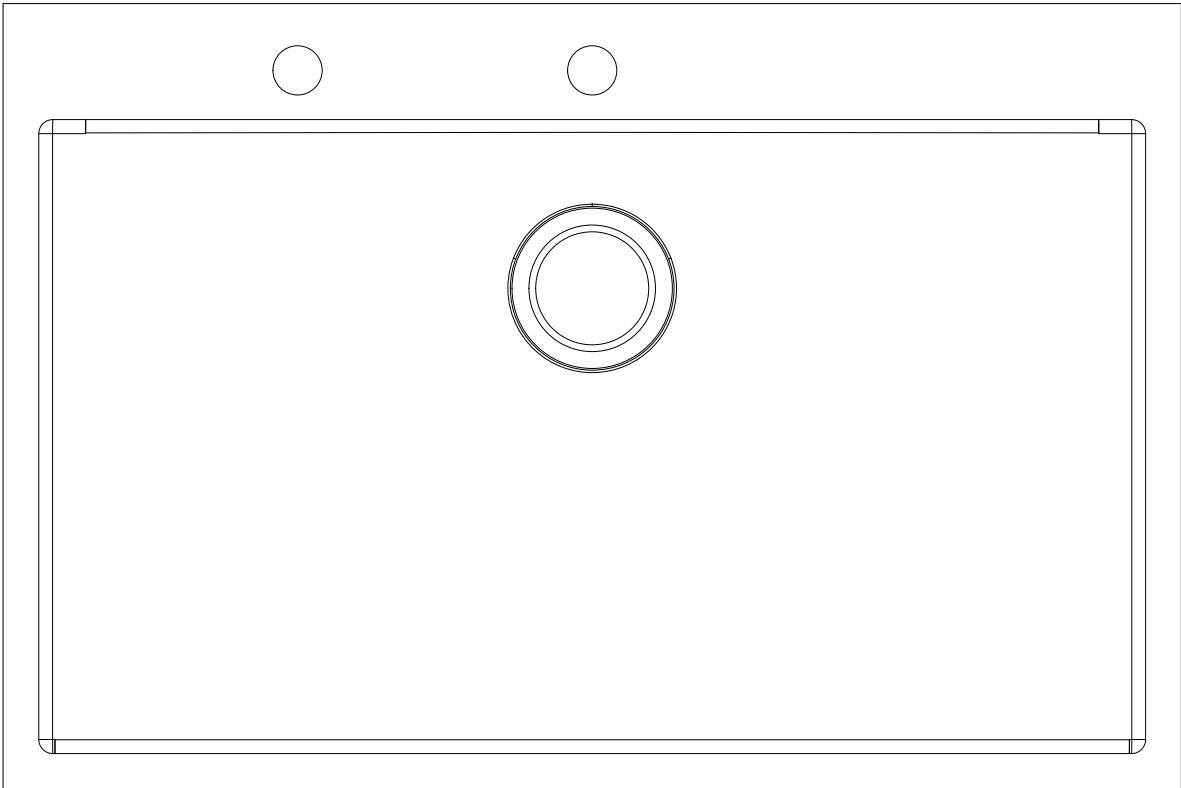


FIG.4

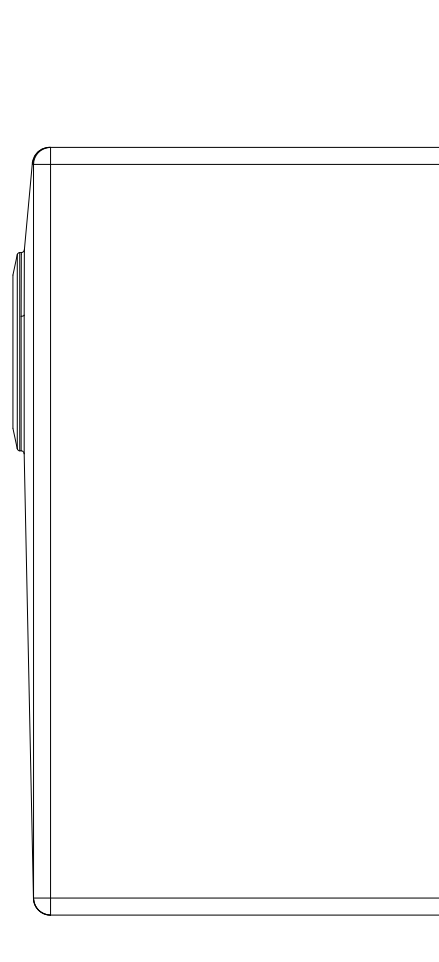


FIG.5

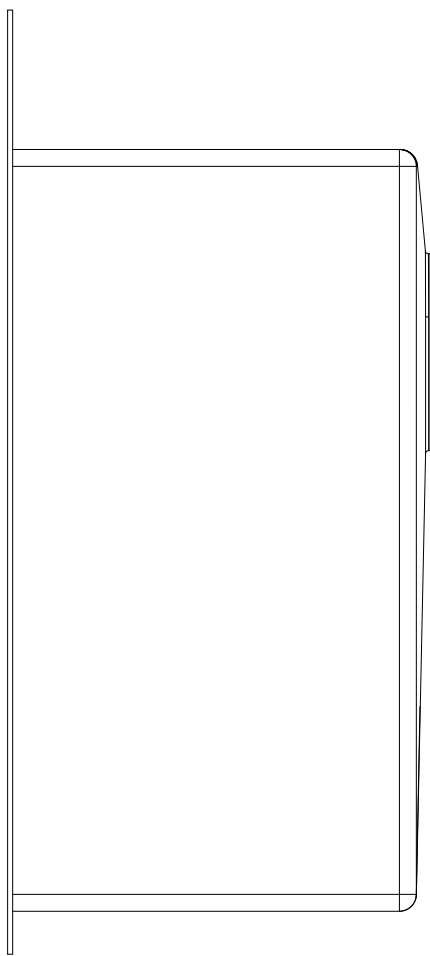


FIG.6

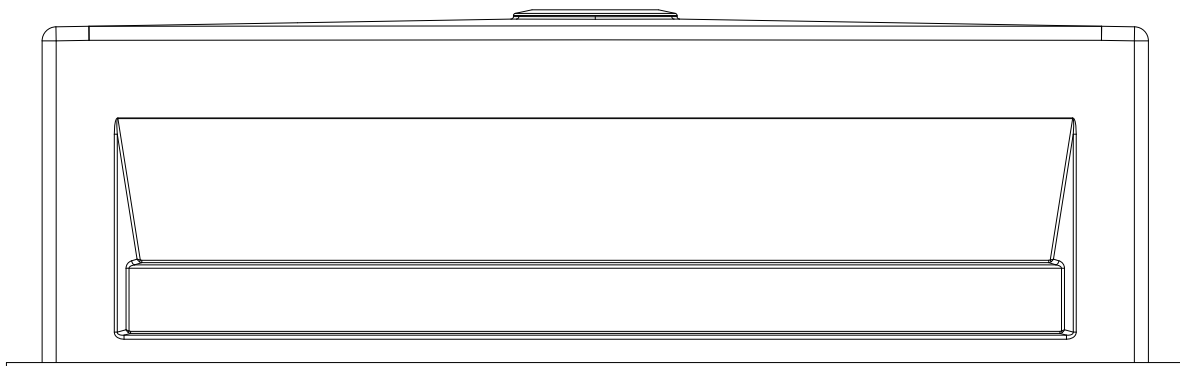


FIG.7

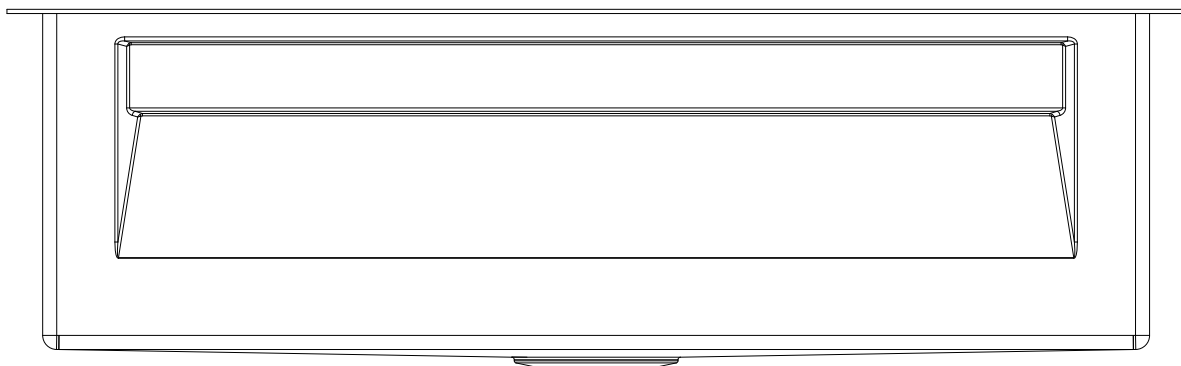


FIG.8